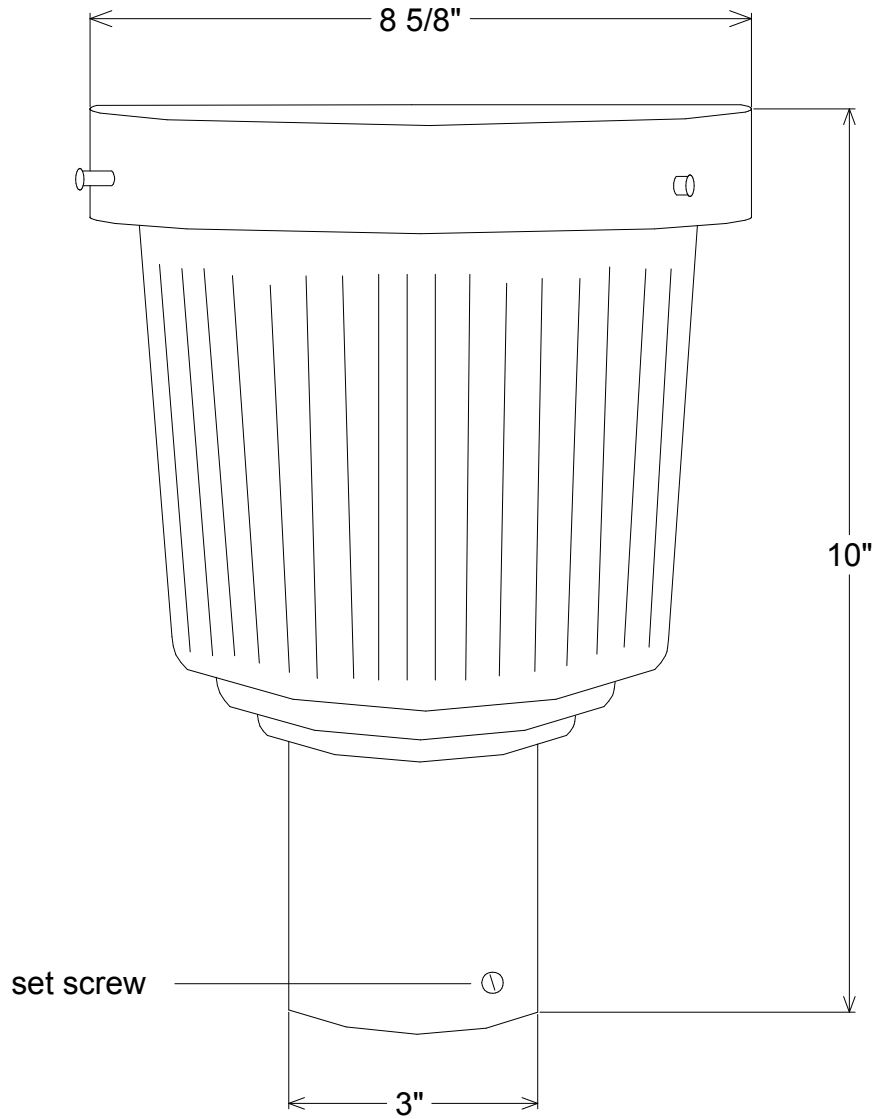


Revisions				
Zone	Rev	Description	Date	Approved



Unless Otherwise Specified: Dimensions in Inches Tolerances: Fractional ± Angular: Mach ± Bend ± Two Place Decimal ± Three Place Decimal ±	Name T.A.R.	Date 10/25/10	Primelite Mfg. Corp.		
	Drawn	Checked			B Ballast Pot Holder
	Checked	ENG Appr.			
	ENG Appr.	MFR Appr.			
	QA	Comments CAD Generated Drawing Do Not Manually Update	Size A	Drawing No. 0001	
Construction: All Aluminum			Scale 1:2	CAD File	Sheet 1 of 1