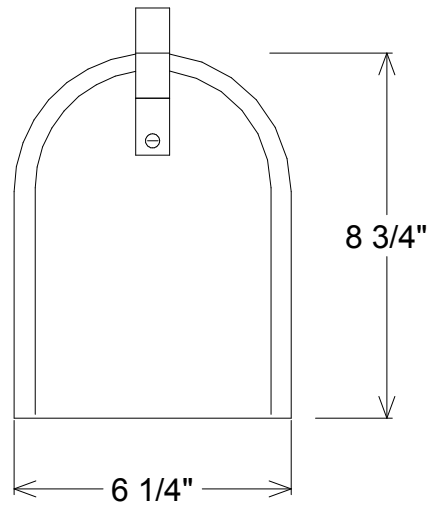
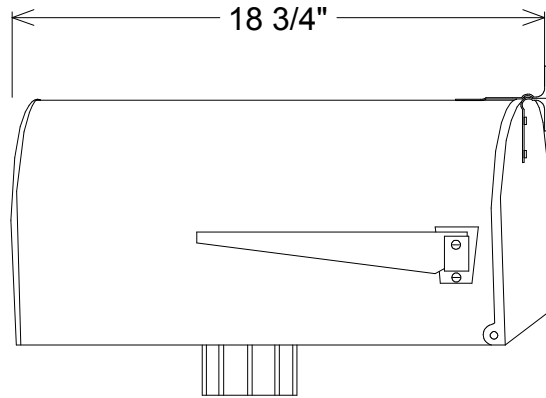
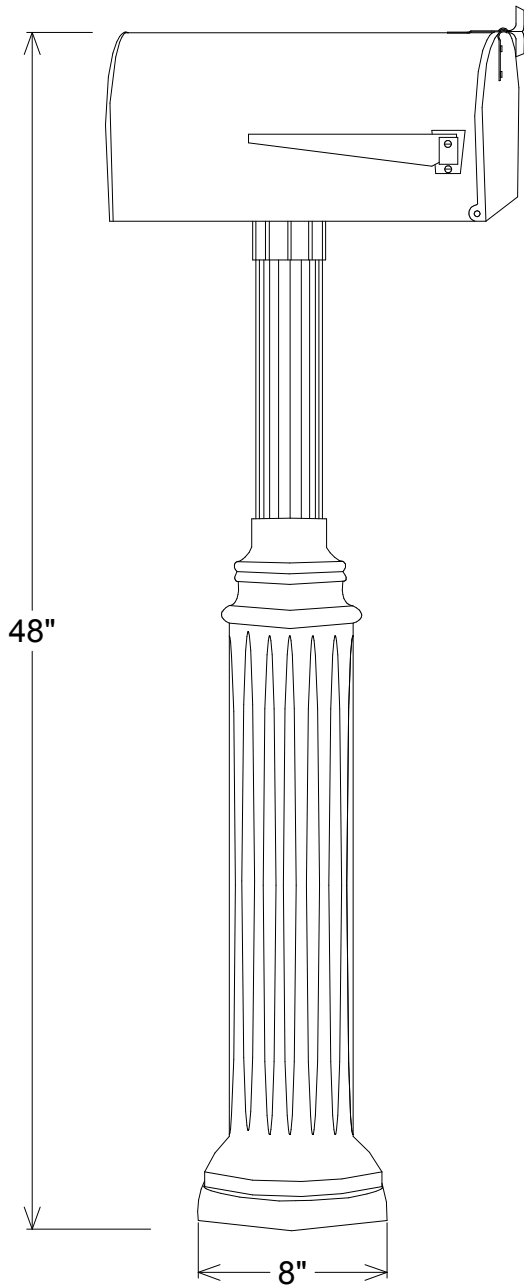


Mailboxes are made for direct burial
#11 shoe base sold seperately



Unless Otherwise Specified: Dimensions in Inches Tolerances: Fractional ± Angular: Mach ± Bend ± Two Place Decimal ± Three Place Decimal ±		Name	Date	Primelite Mfg. Corp.		
	Drawn	T.A.R.	09/15/10			
	Checked			Size	Drawing No.	Rev
	ENG Appr.			A	0001	A
	MFR Appr.			Scale	CAD File	Sheet
QA					1 of 1	
Construction: All Aluminum	Comments CAD Generated Drawing Do Not Manually Update					