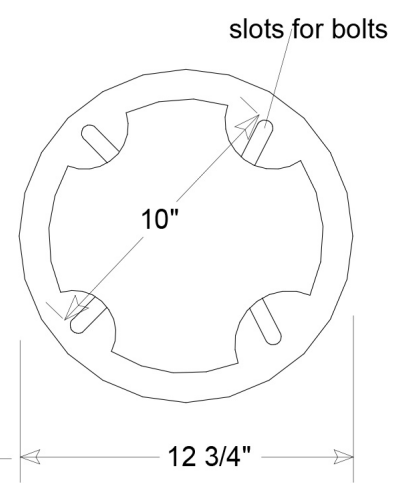


- #8800 Series:**  
 Gauge .050  
 #8806 ( 6' ) ▲  
 #8807 ( 7' ) ▲  
 #8808 ( 8' ) ▲  
 #8810 (10') ▲  
 #8812 (12') ▲
- #8800 Series:**  
 Gauge .125  
 #8836 ( 6' ) ▲  
 #8837 ( 7' ) ▲  
 #8838 ( 8' ) ▲  
 #8840 (10') ▲  
 #8842 (12') ▲  
 #8844 (14') ▲  
 #8846 (16') ▲

**Post Base**  
 10" bolt circle



		<b>Primelite Mfg Corp</b>	
Drawn	Name Iv	Date 02/16/17	516-868-4411
Checked			<b>#8810 Post</b> <b>Cast Aluminum Base</b> <b>Extruded Aluminum Top   Smooth</b> <b>Height 10'   Gauge .050</b>
ENG Appr.			
MFR Appr.			
QA			
Comments CAD Generated Drawing Do Not Manually Update		Size <b>A</b>	Drawing No. <b>0001</b>
Construction: All Aluminum		Scale	Rev <b>A</b>
10" bolt circle base		CAD File	Sheet <b>1 of 1</b>