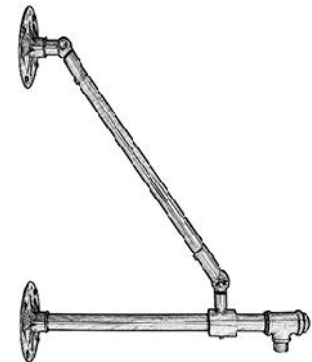
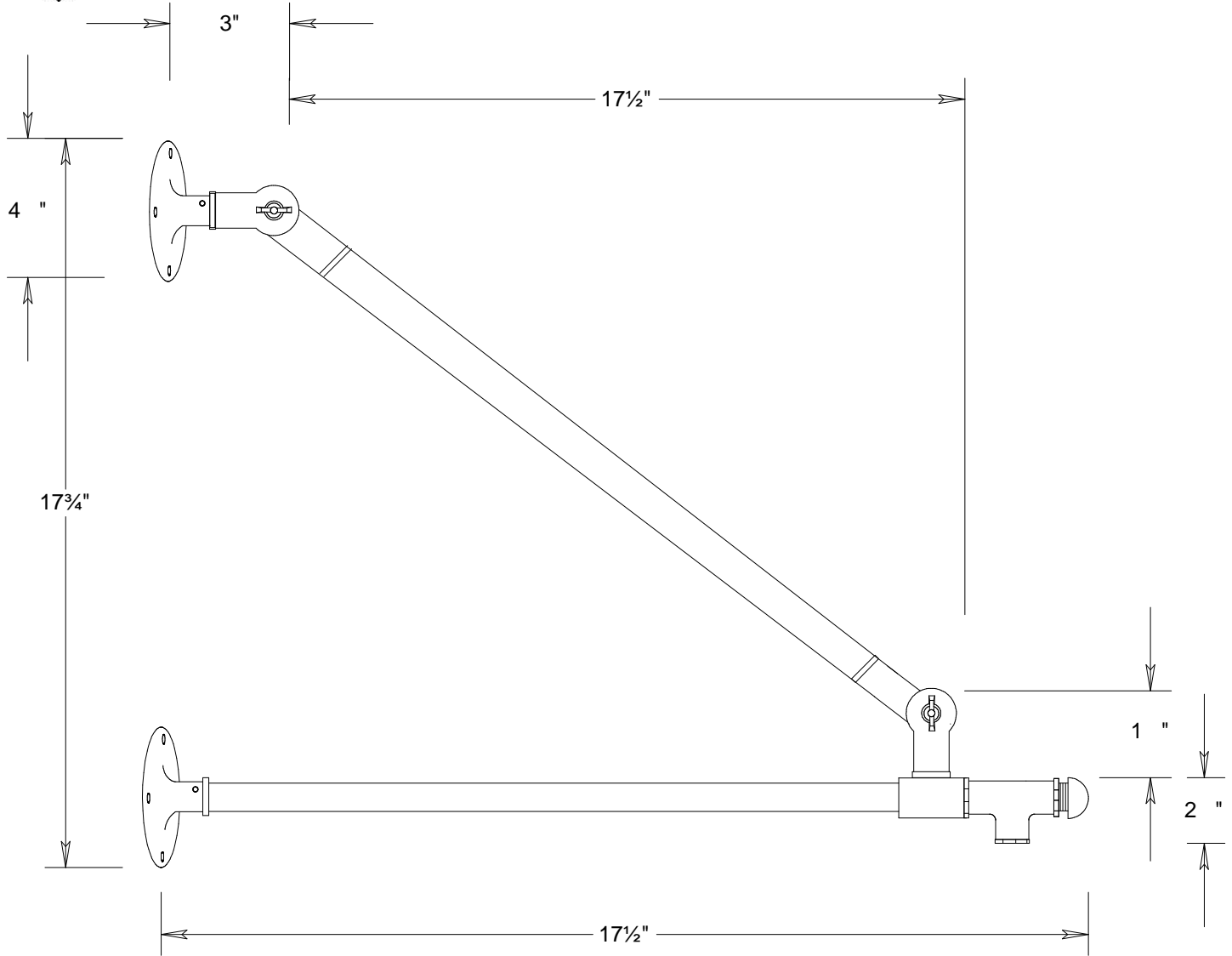




Primelite Manufacturing Corp

407 S Main St, Freeport, NY 11520
 Phone: 516-868-4411 | Fax: 516-868-4609
 sales@primelite-mfg.com | www.primelite-mfg.com

PART # #875	LAMP n/a	VOLTAGE n/a	COLOR Powder Coated Paint
JOB NAME			TYPE Wall Mount Arm



Unless Otherwise Specified:
 Dimensions in Inches
 Tolerances: Fractional ±
 Angular: Mach ± Bend ±
 Two Place Decimal ±
 Three Place Decimal ±

Name	Date	Gooseneck Arm #875		
Drawn: iv	09/13/18			
Checked		17 1/2" Arm 2 1/2" Drop 1/2" Pipe Wall Mount		
ENG Appr.				
MFR Appr.		Size	Drawing No.	Rev
QA		A	0001	A
Comments		Scale	CAD File	Sheet
				1 of 1

Revisions				
Zone	Rev	Description	Date	Approved