

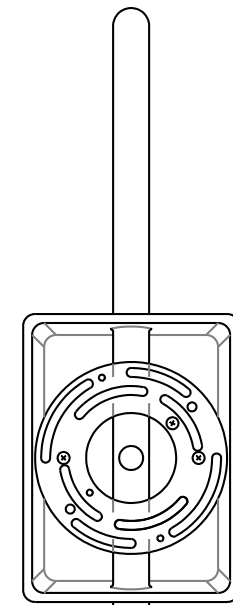
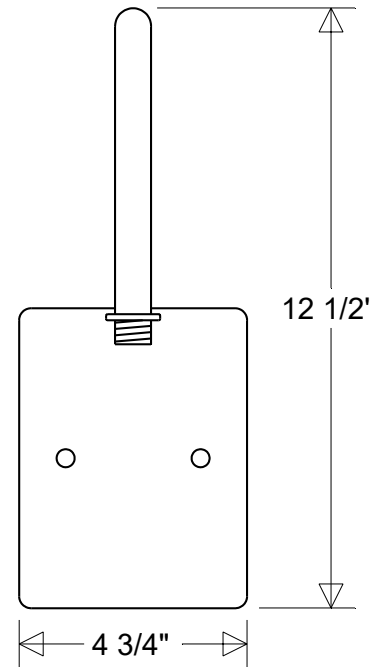
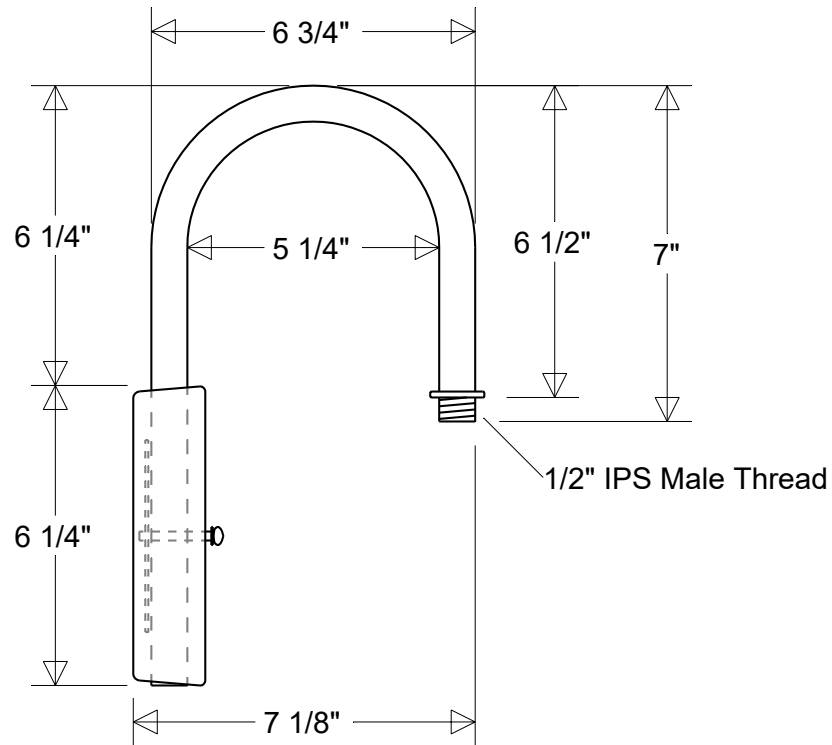


Primelite Manufacturing Corp.

407 S Main St, Freeport, NY 11520
 Phone: (516) 868-4411 | Fax: (516) 868-4609
 sales@primelite-mfg.com | www.primelite-mfg.com

PROUDLY MADE IN THE USA SINCE 1962!
"SPECIALTIES ARE OUR SPECIALTY!"

Job Info



#873	Lamp: N/A	Finish: 29 Oven Baked Powder Coated Paints	Drawn: CB 07/2024	Scale: 1/4	Approvals	
	7 1/8" Ext 12 1/2" H 4 3/4" W 1/2" IPS Compatible with "A" series shades		Voltage: N/A	Material: Aluminum	Note: All dimensions are nominal. Actual dimensions may vary.	