

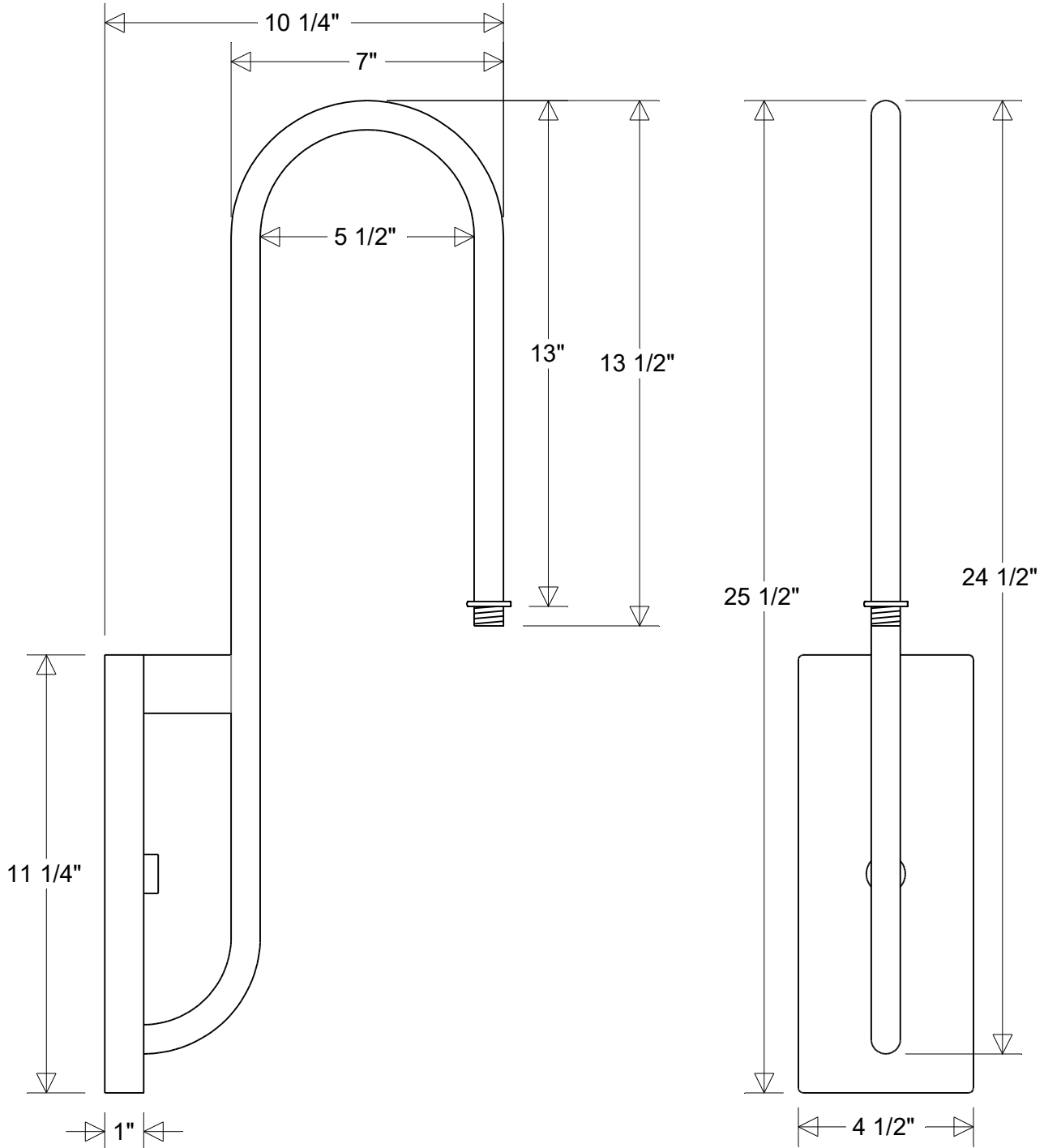


# Primelite Manufacturing Corp.

407 S Main St, Freeport, NY 11520  
 Phone: (516) 868-4411 | Fax: (516) 868-4609  
 sales@primelite-mfg.com | www.primelite-mfg.com

**PROUDLY MADE IN THE USA SINCE 1962!**  
**"SPECIALTIES ARE OUR SPECIALTY!"**

Job Info



**#872**

25 1/2" H | 10 1/4" Ext | 4 1/2" W | 1/2" IPS  
 Compatible with "A" series shades

Lamp: N/A

Voltage:  
N/A

Finish:  
29 Oven Baked  
Powder Coated Paints

Material:  
Aluminum

Drawn:  
CB  
03/2025

Note:  
All dimensions are nominal.  
Actual dimensions may vary.

Scale:  
1/4

Approvals