

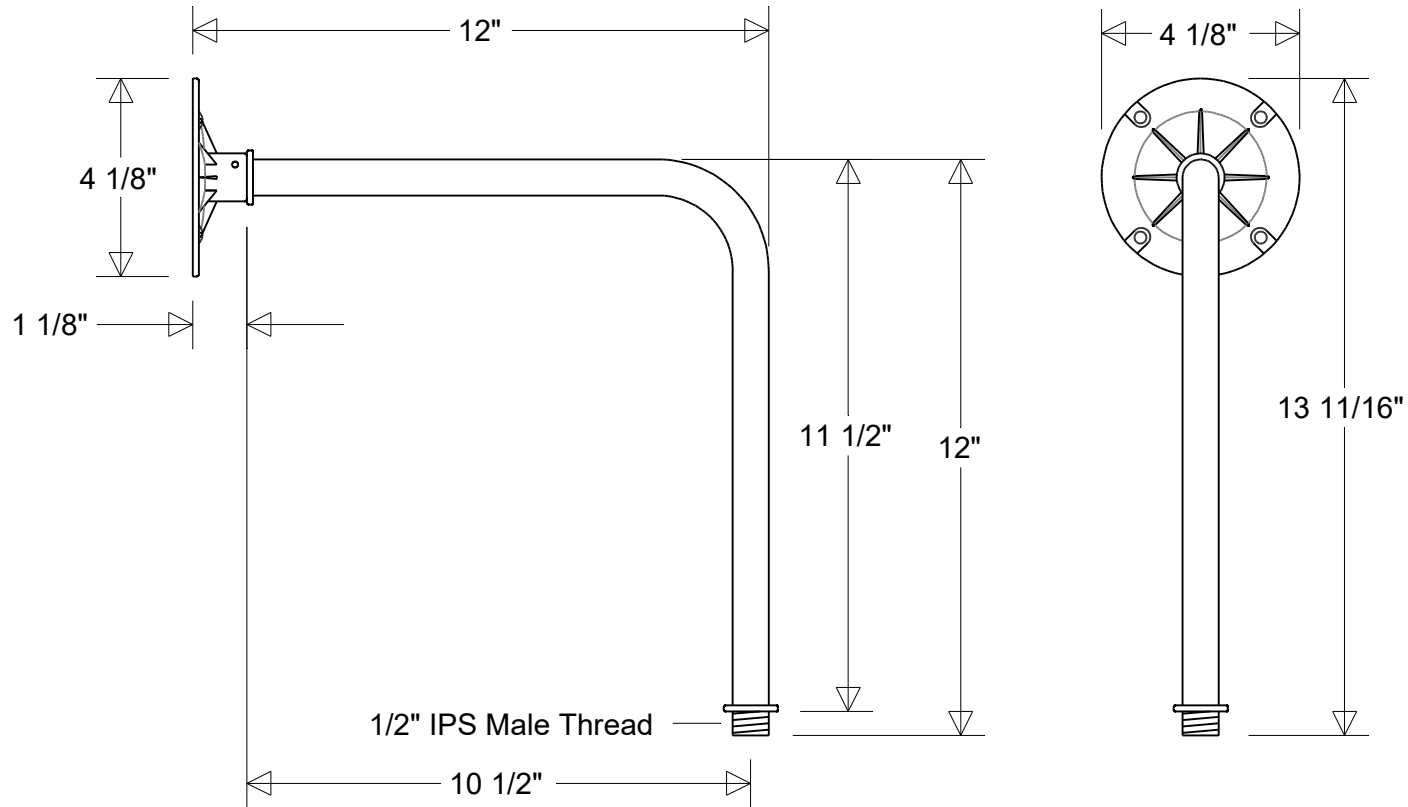


Primelite Manufacturing Corp.

407 S Main St, Freeport, NY 11520
 Phone: (516) 868-4411 | Fax: (516) 868-4609
 sales@primelite-mfg.com | www.primelite-mfg.com

PROUDLY MADE IN THE USA SINCE 1962!
"SPECIALTIES ARE OUR SPECIALTY!"

Job Info



#871

12" Ext | 13 11/16" H | 4 1/8" W | 1/2" IPS
 Compatible with "A" series shades

Lamp: N/A	Finish: 29 Oven Baked Powder Coated Paints	Drawn: CB 11/2024	Scale: 1/4	Approvals
Voltage: N/A	Material: Aluminum	Note: All dimensions are nominal. Actual dimensions may vary.		