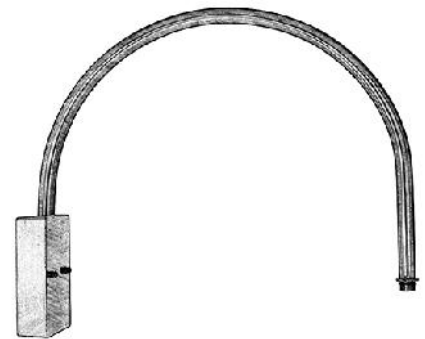
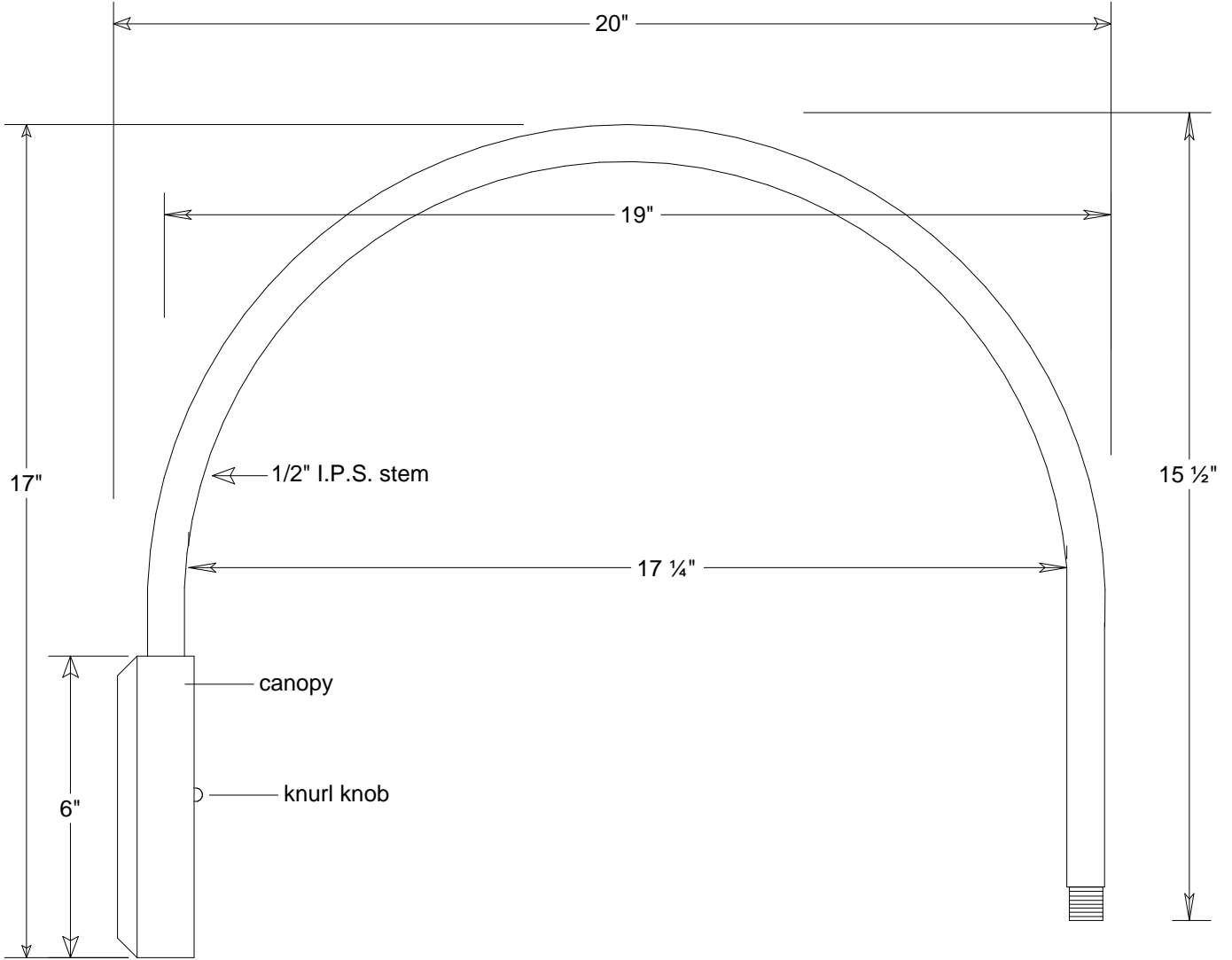




Primelite Manufacturing Corp

407 S Main St, Freeport, NY 11520
 Phone: 516-868-4411 | Fax: 516-868-4609
 sales@primelite-mfg.com | www.primelite-mfg.com

PART # #866	LAMP n/a	VOLTAGE n/a	COLOR Powder Coated Paint
JOB NAME			TYPE Wall Mount Arm



Unless Otherwise Specified: Dimensions in Inches Tolerances: Fractional ± Angular: Mach ± Bend ± Two Place Decimal ± Three Place Decimal ±	Name		Date		Gooseneck Arm #866 19" Arm 1/2" Pipe 15 1/2" Drop Wall Mount																								
	Drawn	lv	12/01/2017																										
	Checked				Size		Drawing No.		Rev																				
	ENG Appr.				A		0001		A																				
	MFR Appr.				Scale		CAD File		Sheet																				
Construction: Aluminum	Comments								1 of 1																				
					Revisions <table border="1"> <thead> <tr> <th>Zone</th> <th>Rev</th> <th>Description</th> <th>Date</th> <th>Approved</th> </tr> </thead> <tbody> <tr> <td> </td> <td> </td> <td> </td> <td> </td> <td> </td> </tr> <tr> <td> </td> <td> </td> <td> </td> <td> </td> <td> </td> </tr> <tr> <td> </td> <td> </td> <td> </td> <td> </td> <td> </td> </tr> </tbody> </table>					Zone	Rev	Description	Date	Approved															
Zone	Rev	Description	Date	Approved																									