

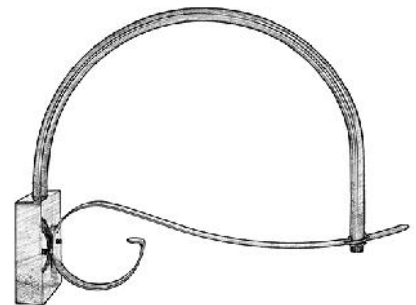
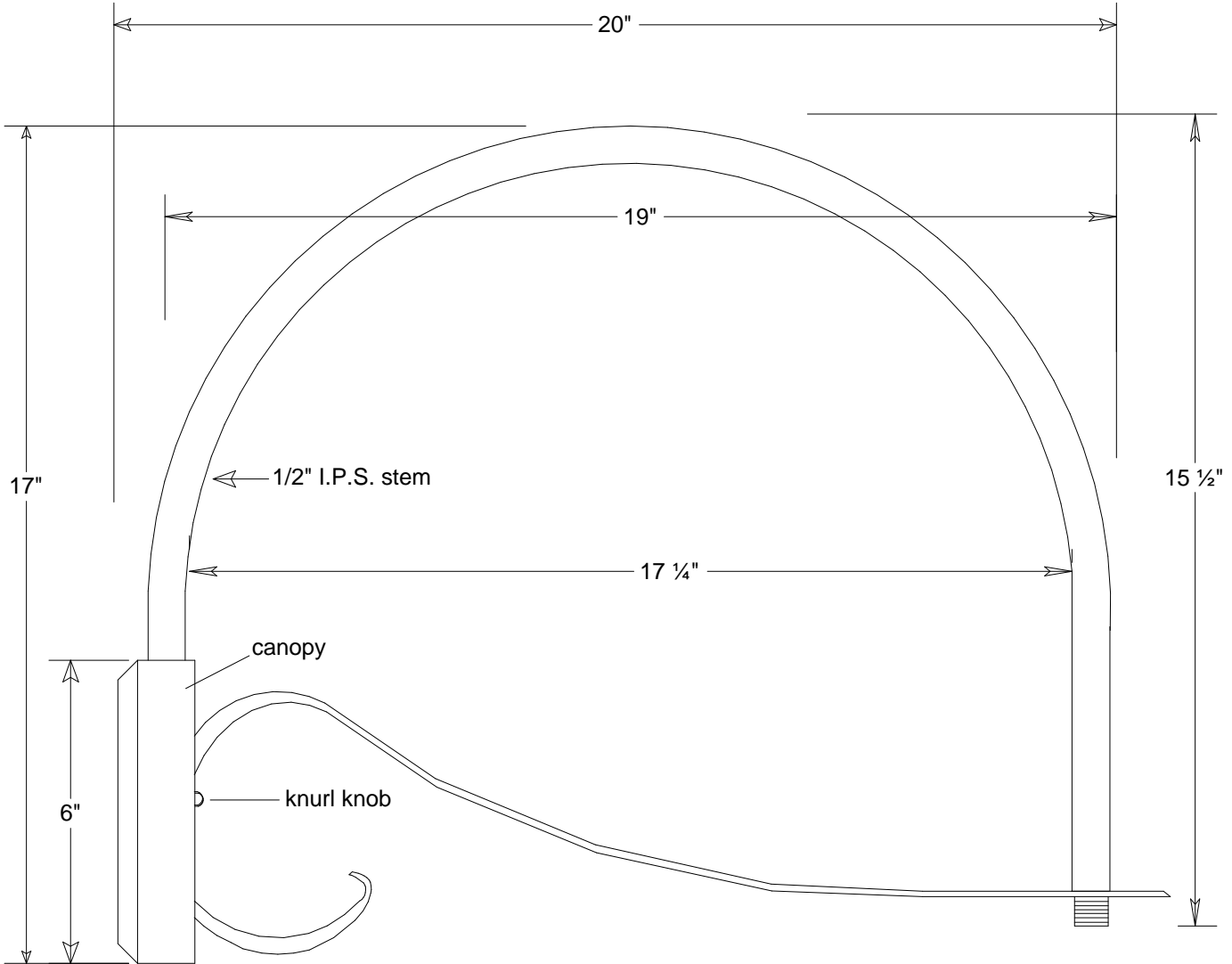


Primelite Manufacturing Corp

407 S Main St, Freeport, NY 11520

Phone: 516-868-4411 | Fax: 516-868-4609
 sales@primelite-mfg.com | www.primelite-mfg.com

PART # #866 SCA	LAMP n/a	VOLTAGE n/a	COLOR Powder Coated Paint
JOB NAME			TYPE Wall Mount Arm



Unless Otherwise Specified: Dimensions in Inches Tolerances: Fractional ± Angular: Mach ± Bend ± Two Place Decimal ± Three Place Decimal ±	Name		Date		Gooseneck Arm #866 SCA 19" Arm 1/2" Pipe 15 1/2" Drop Scroll Insert Wall Mount
	Drawn	lv	09/13/18		
	Checked				
	ENG Appr.				
	MFR Appr.				
Construction: Aluminum	QA		Size	Drawing No.	Rev
			A	0001	A
Comments		Scale	CAD File	Sheet	1 of 1

Revisions				
Zone	Rev	Description	Date	Approved