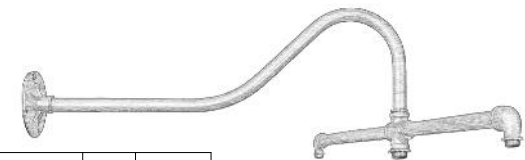
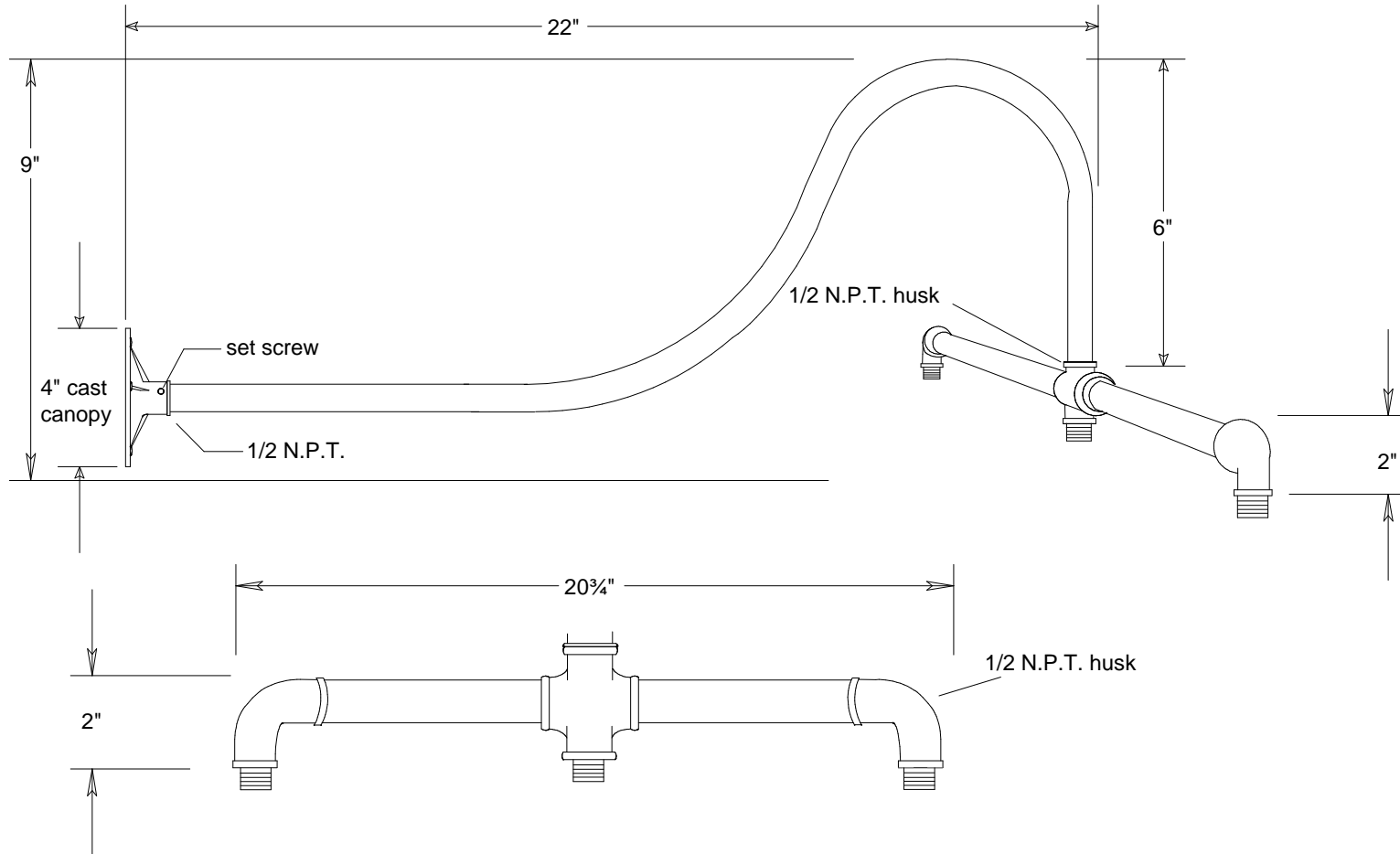




Primelite Manufacturing Corp

407 S Main St, Freeport, NY 11520
 Phone: 516-868-4411 | Fax: 516-868-4609
 sales@primelite-mfg.com | www.primelite-mfg.com

PART # 865/3	LAMP NA	VOLTAGE NA	COLOR Powder Coated Colors
JOB NAME			TYPE Gooseneck Arm



Construction: Aluminum Unless Otherwise Specified: Dimensions in Inches	Name	Date	Arm #865/3			
	Drawn	lv				08/14/2018
	Checked			Fits 3 Heads 22" Arm 20 3/4" Bar 1/2" Pipe Wall Mount		
	ENG Appr.					
	MFR Appr.			Size	Drawing No.	Rev
QA			A	0001	A	
Comments			Scale	CAD File	Sheet	
					1 of 1	

Revisions				
Zone	Rev	Description	Date	Approved