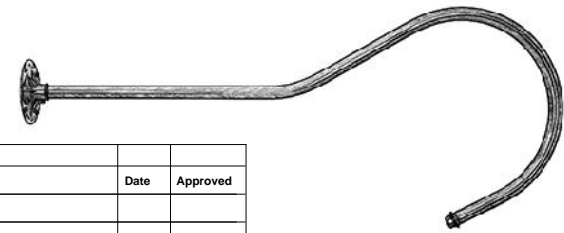
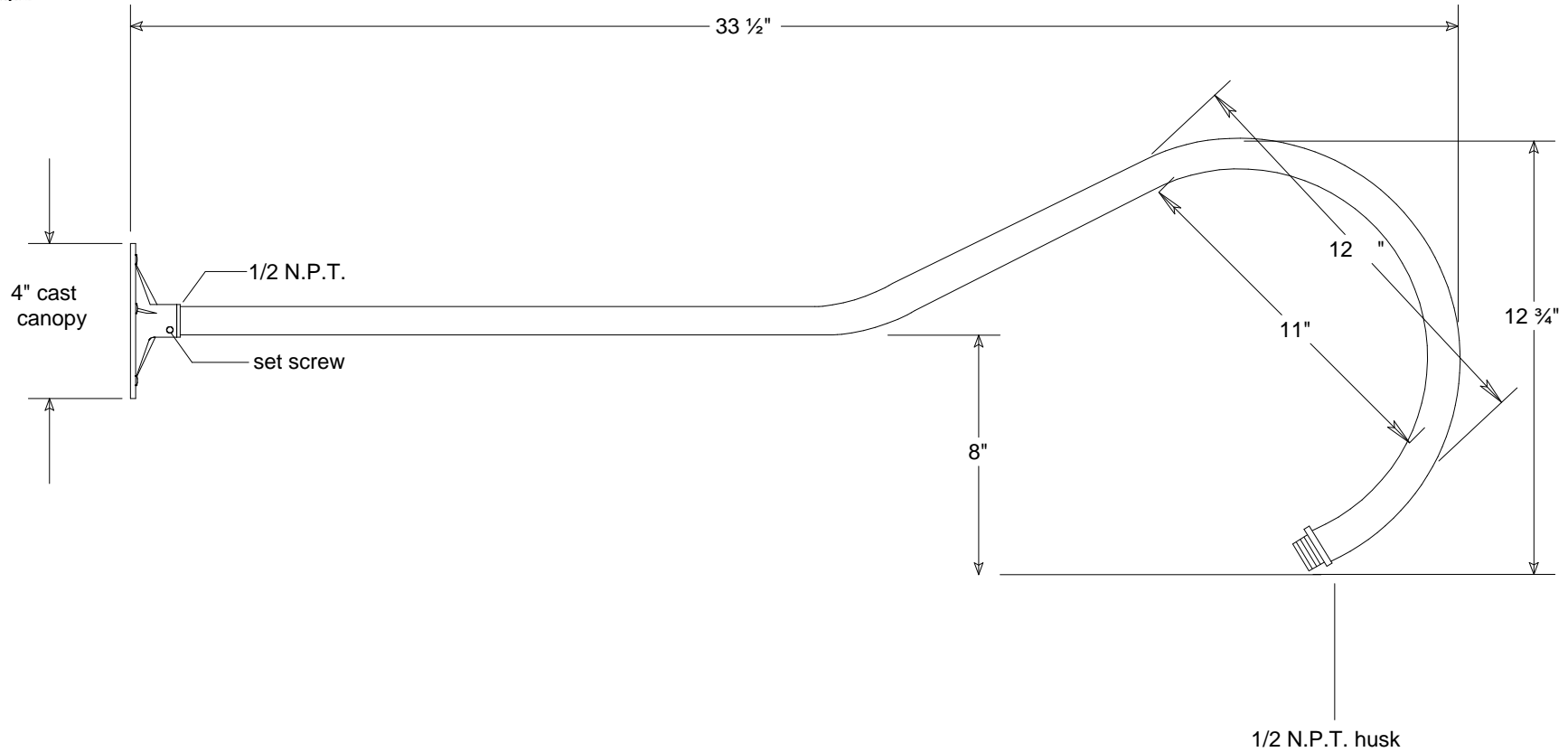




Primelite Manufacturing Corp

407 S Main St, Freeport, NY 11520
 Phone: 516-868-4411 | Fax: 516-868-4609
 sales@primelite-mfg.com | www.primelite-mfg.com

PART # #864	LAMP n/a	VOLTAGE n/a	COLOR Powder Coated Paint
JOB NAME			TYPE Wall Mount Arm



Unless Otherwise Specified: Dimensions in Inches Tolerances: Fractional ± Angular: Mach ± Bend ± Two Place Decimal ± Three Place Decimal ±	Name	Date	Gooseneck Arm #864			
	Drawn	lv				09/13/18
	Checked			33 1/2" Arm 1/2" Pipe Wall Mount		
	ENG Appr.					
	MFR Appr.			Size	Drawing No.	Rev
QA			A	0001	A	
Construction: Aluminum	Comments		Scale	CAD File	Sheet 1 of 1	

Revisions				
Zone	Rev	Description	Date	Approved