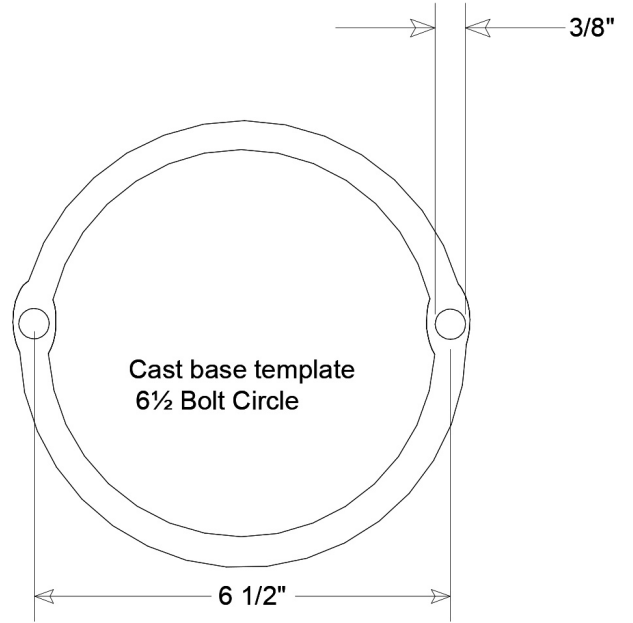
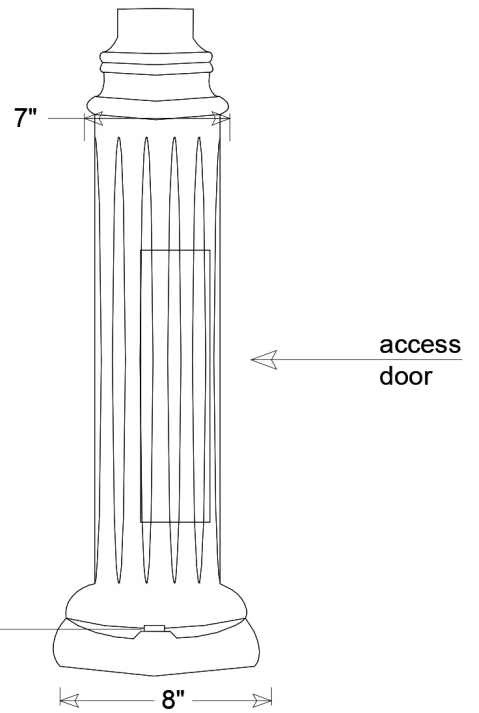


#7800 Series



- | | |
|----------------------|----------------------|
| #7800 Series: | #7800 Series: |
| Gauge .050 | Gauge .125 |
| #7806 (6') ▲ | #7836 (6') ▲ |
| #7807 (7') ▲ | #7837 (7') ▲ |
| #7808 (8') ▲ | #7838 (8') ▲ |
| #7810 (10') ▲ | #7840 (10') ▲ |
| #7812 (12') ▲ | #7842 (12') ▲ |



Cast Aluminum Base

Unless Otherwise Specified: Dimensions in Inches Tolerances: Fractional ± Angular: Mach ± Bend ± Two Place Decimal ± Three Place Decimal ±	Drawn iv Checked ENG Appr. MFR Appr. QA Comments CAD Generated Drawing Do Not Manually Update	Name iv Date 02/13/17	Primelite Mfg. Corp.		
	Construction: All Aluminum			#7840 Post Cast Aluminum Base Extruded Aluminum Top Smooth Height 10' Gauge .125	
	6 1/2" bolt circle base			Size A	Drawing No. 0001
				Scale 1:9	Sheet 1 of 1

▲ Symbol indicates link to individual technical drawings