

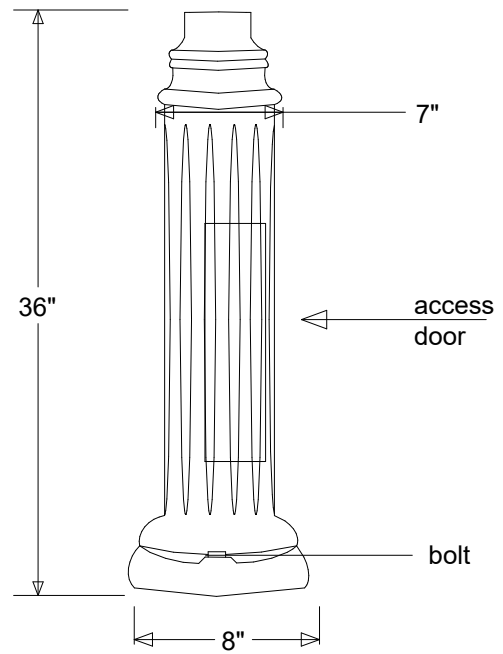
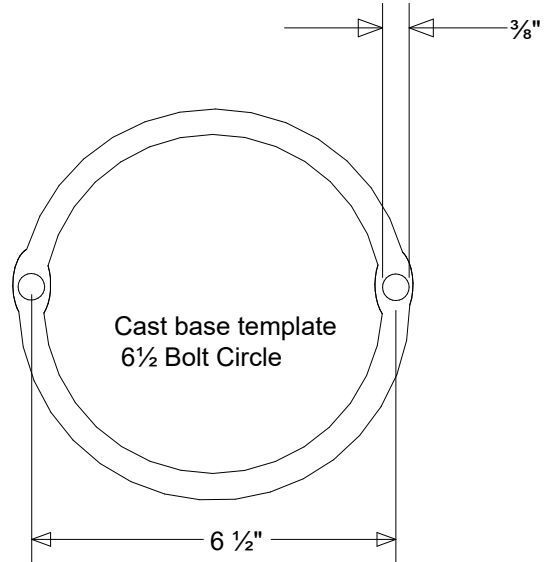
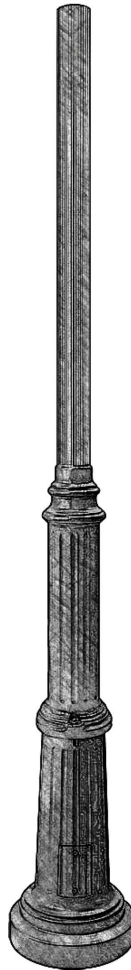
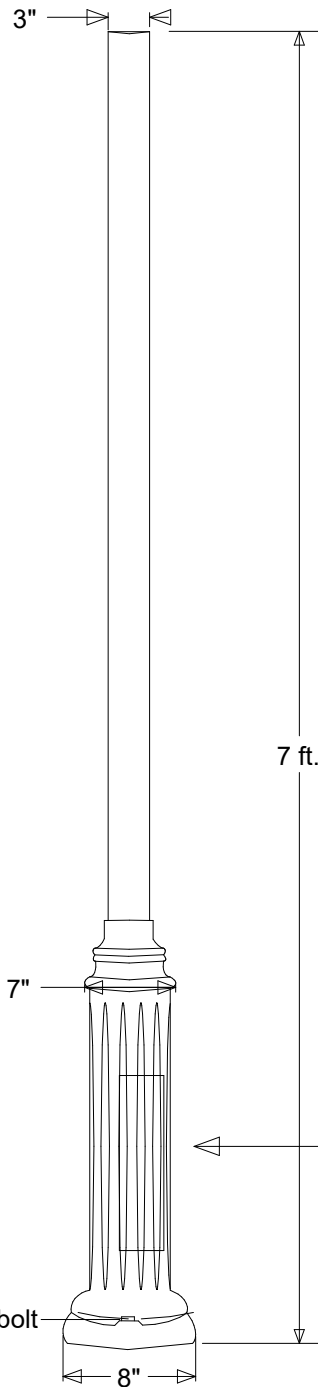


Primelite Manufacturing Corp

407 S Main St, Freeport, NY 11520

Phone: 516-868-4411 | Fax: 516-868-4609
 sales@primelite-mfg.com | www.primelite-mfg.com

| | | | |
|------------------------|------|---------|------------------------------|
| PART # #7837 | LAMP | VOLTAGE | COLOR Powder Coated Paint |
| JOB NAME | | | TYPE Post |



Cast Aluminum Base

| | | | | | | |
|---|-----------|------|-------------------|---------------------------|---------------|---------|
| Construction: Aluminum Unless Otherwise Specified: Dimensions in Inches | Name | Date | #7837 Post | | | |
| | Drawn | MM | | | | 06/2018 |
| | Checked | | | Cast Aluminum Base 7 Ft | | |
| | ENG Appr. | | | | | |
| | MFR Appr. | | | Size | Drawing No. | Rev |
| QA | | | A | 0001 | A | |
| Weight | | | Scale | CAD File | Sheet | |
| | | | | | 1 of 1 | |

| Revisions | | | | |
|-----------|-----|-------------|------|----------|
| Zone | Rev | Description | Date | Approved |
| | | | | |
| | | | | |
| | | | | |