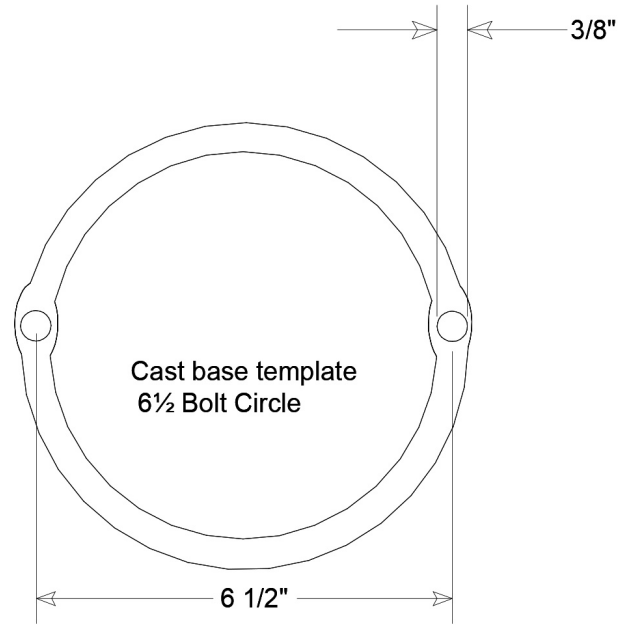
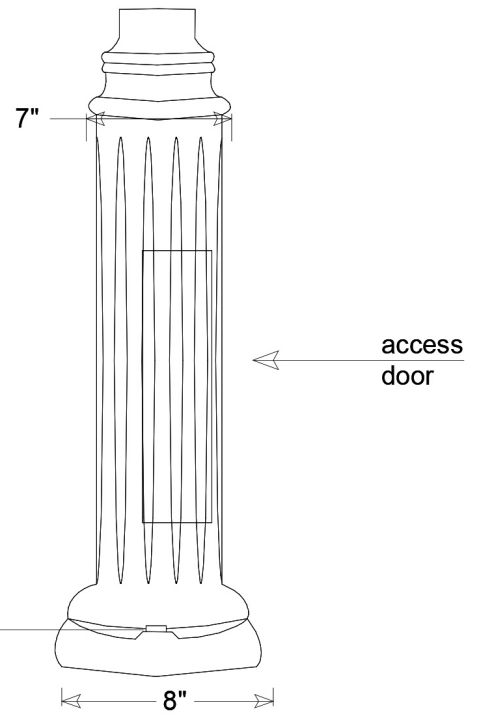


#7800 Series



Cast base template
6 1/2 Bolt Circle



Cast Aluminum Base

- #7800 Series:** **#7800 Series:**
 Gauge .050 Gauge .125
 #7806 (6') ▲ #7836 (6') ▲
 #7807 (7') ▲ #7837 (7') ▲
 #7808 (8') ▲ #7838 (8') ▲
 #7810 (10') ▲ #7840 (10') ▲
 #7812 (12') ▲ #7842 (12') ▲

Unless Otherwise Specified:

Dimensions in Inches
 Tolerances: Fractional ±
 Angular: Mach ± Bend ±
 Two Place Decimal ±
 Three Place Decimal ±

Construction: All Aluminum

6 1/2" bolt circle base

	Name	Date
Drawn	Iv	02/13/17
Checked		
ENG Appr.		
MFR Appr.		
QA		
Comments	CAD Generated Drawing Do Not Manually Update	

Primelite Mfg. Corp.

#7808 Post
Cast Aluminum Base
Extruded Aluminum Top | Smooth
Height 8' | Gauge .050

Size	Drawing No.	Rev
A	0001	A
Scale	1:9	CAD File
Sheet	1 of 1	