

**#7700 Series:**

Gauge .050

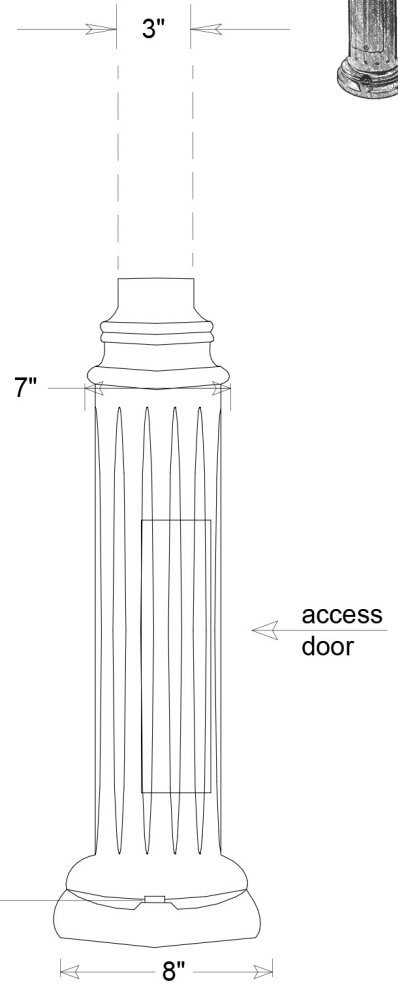
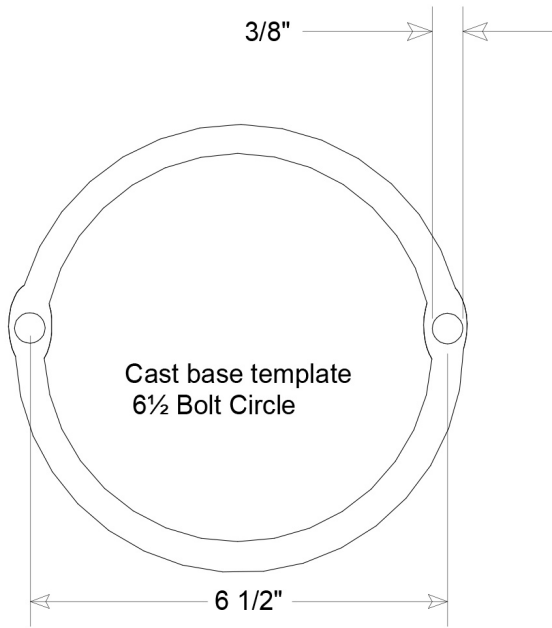
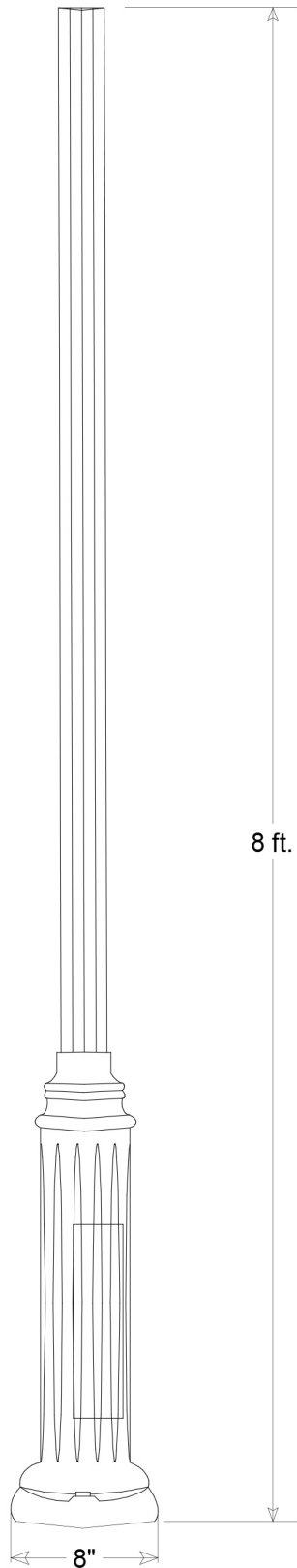
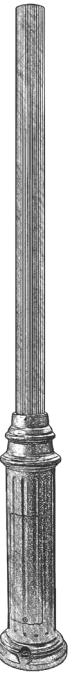
#7706 ( 6' ) ▲

#7707 ( 7' ) ▲

#7708 ( 8' ) ▲

#7710 (10' ) ▲

#7712 (12' ) ▲



Cast Aluminum Base

**Unless Otherwise Specified:**

Dimensions in Inches  
 Tolerances: Fractional ±  
 Angular: Mach ± Bend ±  
 Two Place Decimal ±  
 Three Place Decimal ±

Construction: All Aluminum

6 1/2" bolt circle base

	Name	Date
Drawn	iv	02/21/17
Checked		
ENG Appr.		
MFR Appr.		
QA		
Comments	CAD Generated Drawing Do Not Manually Update	

**Primelite Mfg Corp**

516-868-4411

**#7708 Post**

**Cast Aluminum Base**  
**Extruded Aluminum Top | Fluted**  
**Height 8' | Top Gauge .050**

Size	Drawing No.	Rev
<b>A</b>	<b>0001</b>	<b>A</b>
Scale	CAD File	Sheet <b>1 of 1</b>