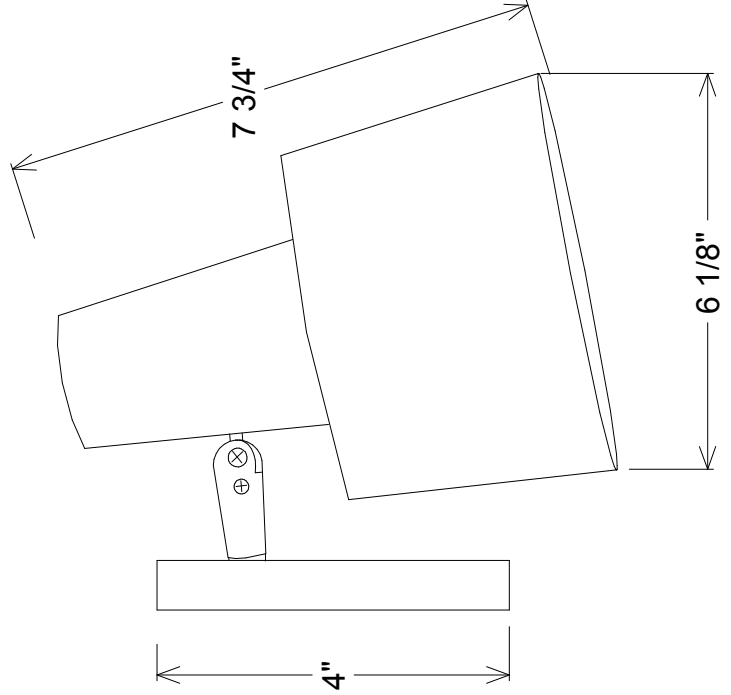


set screw



Unless Otherwise Specified:

- Dimensions in Inches
- Tolerances: Fractional ±
- Angular: Mach ± Bend ±
- Two Place Decimal ±
- Three Place Decimal ±

Construction: All Aluminum

Lamp: 3-150A

Primelite Mfg. Corp. 77-543		Date 09/16/10
Drawn T.A.R.	Name T.A.R.	Date 09/16/10
Checked		
ENG Appr.		
MFR Appr.		
QA		
Comments CAD Generated Drawing Do Not Manually Update		
Size A	Drawing No. 0001	Rev A
Scale	CAD File	Sheet 1 of 1