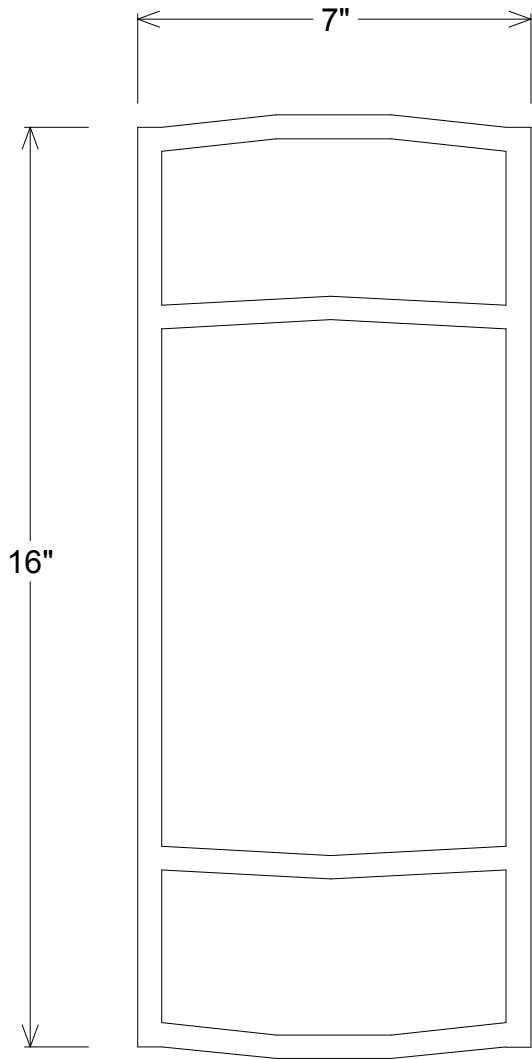
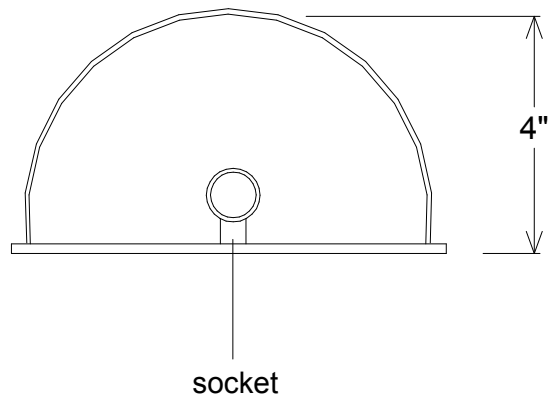


Revisions				
Zone	Rev	Description	Date	Approved



**Top View**



<b>Unless Otherwise Specified:</b> Dimensions in Inches Tolerances: Fractional ± Angular: Mach ± Bend ± Two Place Decimal ± Three Place Decimal ±		Name	Date	<b>Primelight Mfg. Corp.</b>		
	Drawn	T.A.R.	11/3/10			
	Checked					
	ENG Appr.					
	MFR Appr.					
	QA			Size	Drawing No.	Rev
<b>Construction: Acrylic, steel</b>	Comments CAD Generated Drawing Do Not Manually Update			<b>A</b>	<b>0001</b>	<b>A</b>
Lamp: 2-60 T10				Scale <b>1:4</b>	CAD File	Sheet <b>1 of 1</b>