

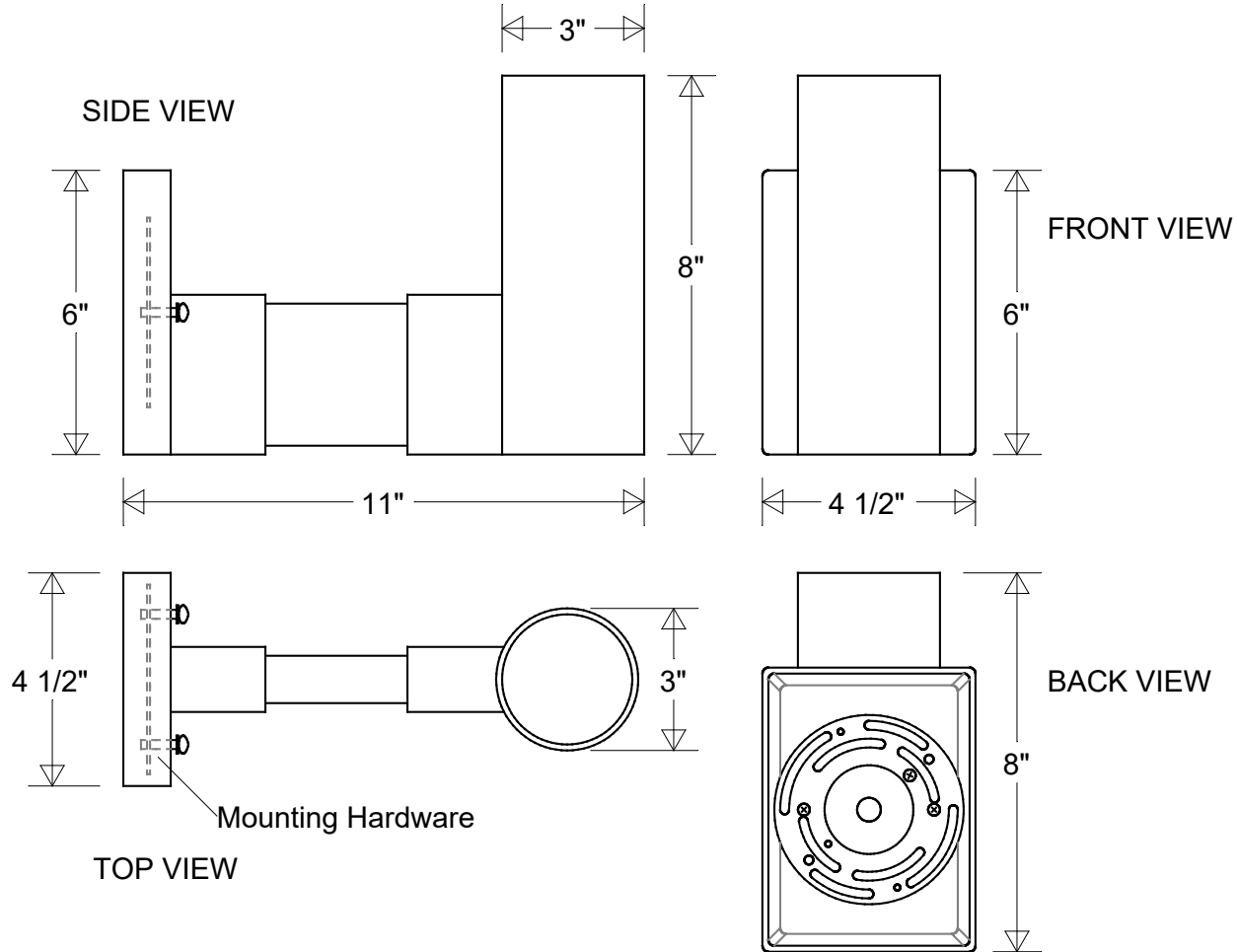


Primelite Manufacturing Corp

407 S Main St, Freeport, NY 11520

Phone: 516-868-4411 | Fax: 516-868-4609
 sales@primelite-mfg.com | www.primelite-mfg.com

PART # #7	LAMP N/A	VOLTAGE N/A	COLOR Powder Coated Paint
JOB NAME			TYPE Wall Bracket



Lamp: N/A	Initials	Date	Post to Wall Bracket #7							
	Drawn	CB						01/2023		
	Checked			4 1/2" W 11" Ext 8" H Fits 3" Round Post Lights						
	ENG Appr.									
Construction: Aluminum	MFR Appr.		Size	Drawing No.	Rev	Revisions				
	QA		A	0001	A	Zone	Rev	Description	Date	Appr
Unless Otherwise Specified: Dimensions in Inches	Weight:		Scale	CAD File	Sheet					
					1 of 1					