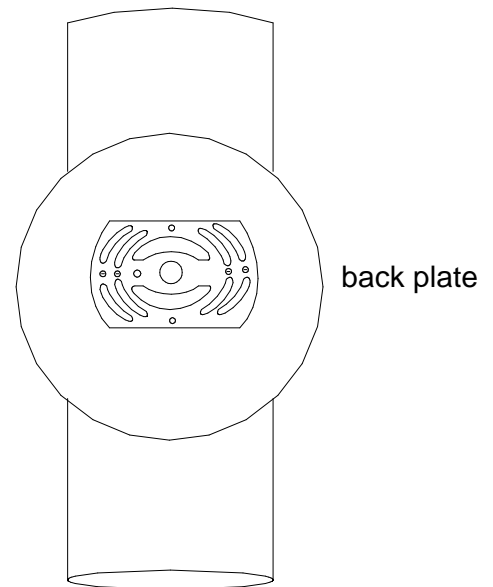
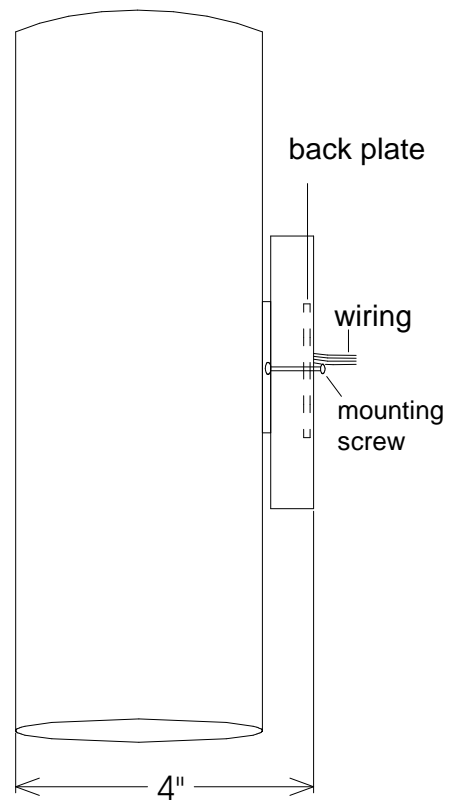


side view



back view

Unless Otherwise Specified: Dimensions in Inches Tolerances: Fractional ± Angular: Mach ± Bend ± Two Place Decimal ± Three Place Decimal ±	Drawn T.A.R.	Name T.A.R.	Date 06/10/10	Primelite Mfg. Corp.		
	Checked T.A.R.	ENG Appr.	Date 04/21/11			
	MFR Appr.	QA				
	Comments CAD Generated Drawing Do Not Manually Update			Size A	Drawing No. 0001	Rev A
	Construction: All Aluminum				Scale 1:2	CAD File
Lamp: 2-60A						