

#6600 SB Series:

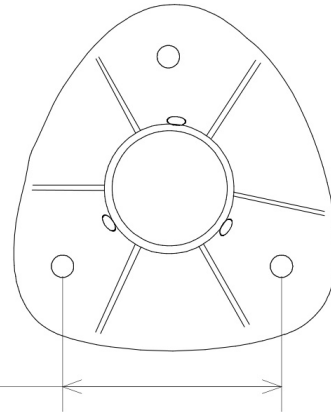
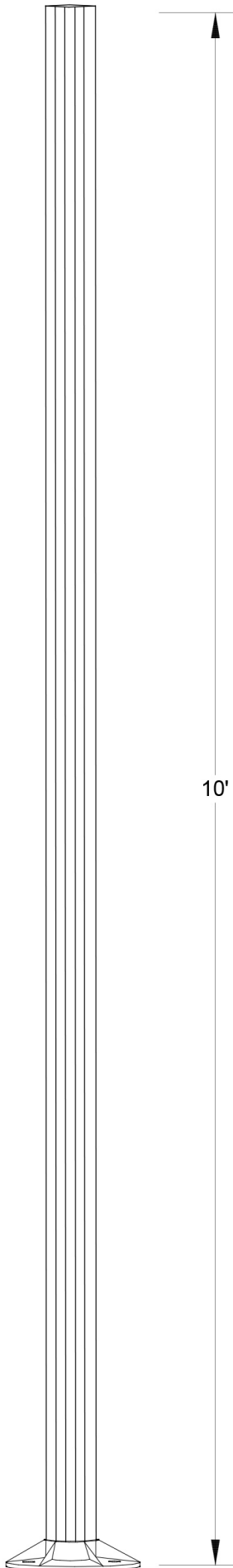
Gauge: .050)

#6607 SB (7') ▲

#6608 SB (8') ▲

#6610 SB (10') ▲

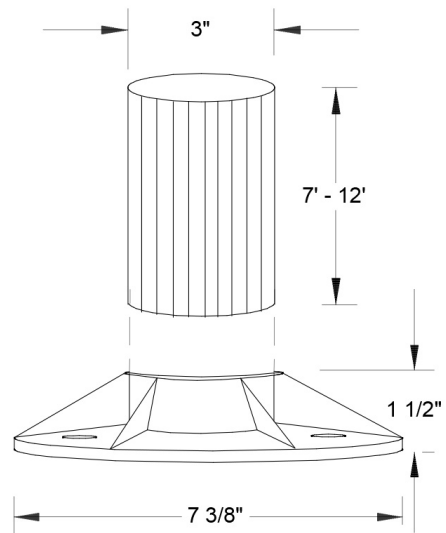
#6612 SB (12') ▲



5 1/2" on center

shoe base top view

Assembly includes: Template, Anchor Bolts, Washers and Nuts.



welded shoe base

			Primelite Mfg. Corp.		
Drawn	iv	02/01/17	#6610 SB Post 3" Round Post Shoe Base Height 10' Extruded Aluminum Fluted Surface Gauge .050		
Checked					
ENG Appr.					
MFR Appr.					
QA					
Comments CAD Generated Drawing Do Not Manually Update			Size	Drawing No.	Rev
Construction: Aluminum			A	0001	A
			Scale	CAD File	Sheet 1 of 1