

**#6600 Series:**

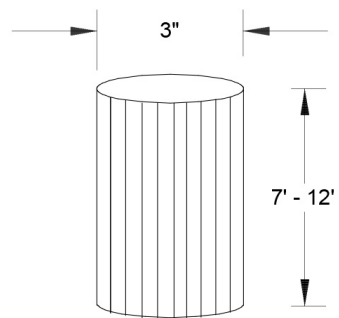
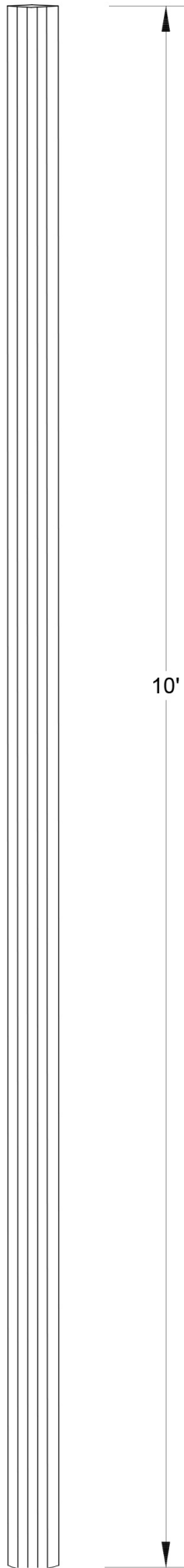
Gauge: .050)

#6607 ( 7') ▲

#6608 ( 8') ▲

#6610 (10') ▲

#6612 (12') ▲



|   | Name | Date     | <b>Primelite Mfg. Corp.</b>                    |             |               |
|---|------|----------|--|-------------|---------------|
| Drawn   | iv   | 02/01/17 | <b>#6610 Post</b>                              |             |               |
| Checked   |      |          | <b>3" Round Post   Gauge .050   Height 10'</b> |             |               |
| ENG Appr.                                       |      |          | <b>Extruded Aluminum   Fluted Surface</b>      |             |               |
| MFR Appr.                                       |      |          | Size   | Drawing No. | Rev           |
| QA  |      |          | <b>A</b>                                       | <b>0001</b> | <b>A</b>      |
| Comments  |      |          | Scale  | CAD File    | Sheet         |
| CAD Generated Drawing<br>Do Not Manually Update |      |          |  |             | <b>1 of 1</b> |
| Construction: Aluminum                          |      |          |  |             |               |