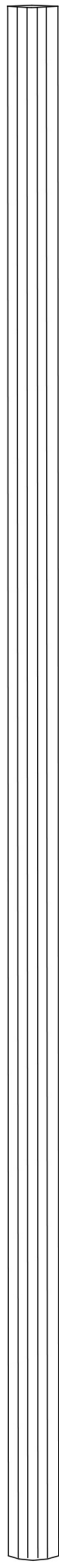


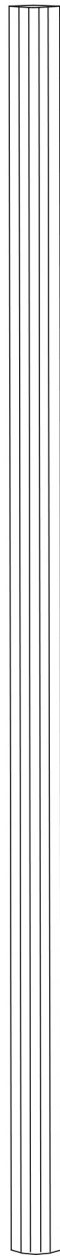
12'

#6612 ▲



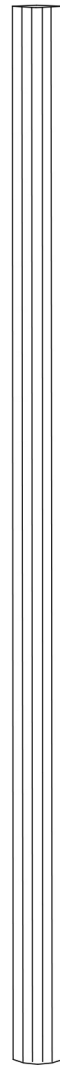
10'

#6610 ▲



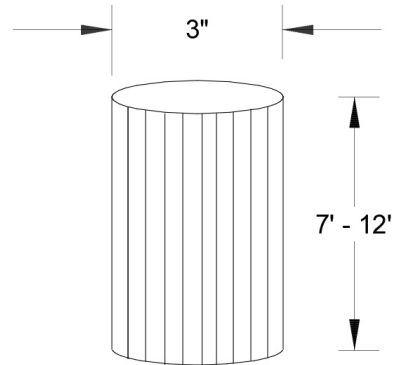
8'

#6608 ▲



7'

#6607 ▲



3"

7' - 12'

Gauge .050

	Name	Date
Drawn	Iv	02/01/17
Checked		
ENG Appr.		
MFR Appr.		
QA		
Comments		
CAD Generated Drawing Do Not Manually Update		
Construction: Aluminum		

Primelite Mfg. Corp.

#6600 Post Series

3" Round Post | 7' - 12' | Gauge .050

Extruded Aluminum | Fluted Surface

Size	Drawing No.	Rev
A	0001	A
Scale	CAD File	Sheet
		1 of 1