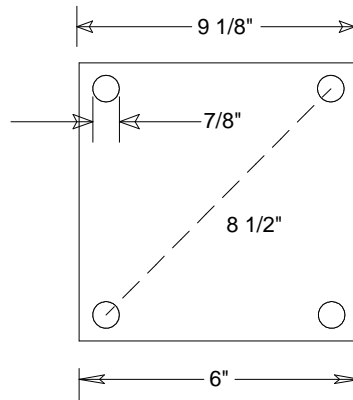


4" Square to 3" Round Post Adapter



Shoe Base

	Name	Date	<b>Primelite Mfg. Corp.</b>		
Drawn	lv	01/30/17	<b>#6410 SB</b>		
Updated	lv	10/03/17	<b>4" Square Post   Height 10'   Shoe Base</b>		
ENG Appr.			<b>Extruded Aluminum   Smooth Surface</b>		
MFR Appr.			Size	Drawing No.	Rev
QA			<b>A</b>	<b>0001</b>	<b>A</b>
Comments			Scale	CAD File	Sheet
CAD Generated Drawing Do Not Manually Update					<b>1 of 1</b>
Construction: Aluminum					