

#6100 Series:

Gauge: .050

#6100 (2') ▲

#6107 (7') ▲

#6108 (8') ▲

#6110 (10') ▲

#6112 (12') ▲

#6100 Series:

Gauge: .125

#6127 (7') ▲

#6128 (8') ▲

#6130 (10') ▲

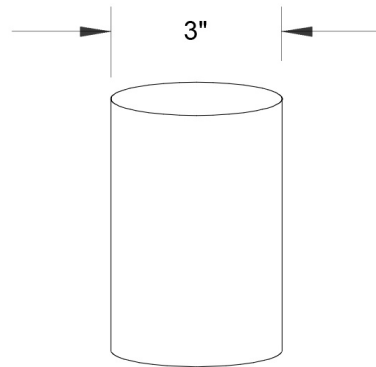
#6132 (12') ▲

#6134 (14') ▲

#6136 (16') ▲

#6138 (18') ▲

#6140 (20') ▲



Gauge: .125

		Name	Date	Primelite Mfg. Corp.		
Drawn	lv	01/31/17				
Checked						
ENG Appr.						
MFR Appr.						
QA						
Comments CAD Generated Drawing Do Not Manually Update Construction: All Aluminum				Size	Drawing No.	Rev
				A	0001	A
				Scale	CAD File	Sheet 1 of 1