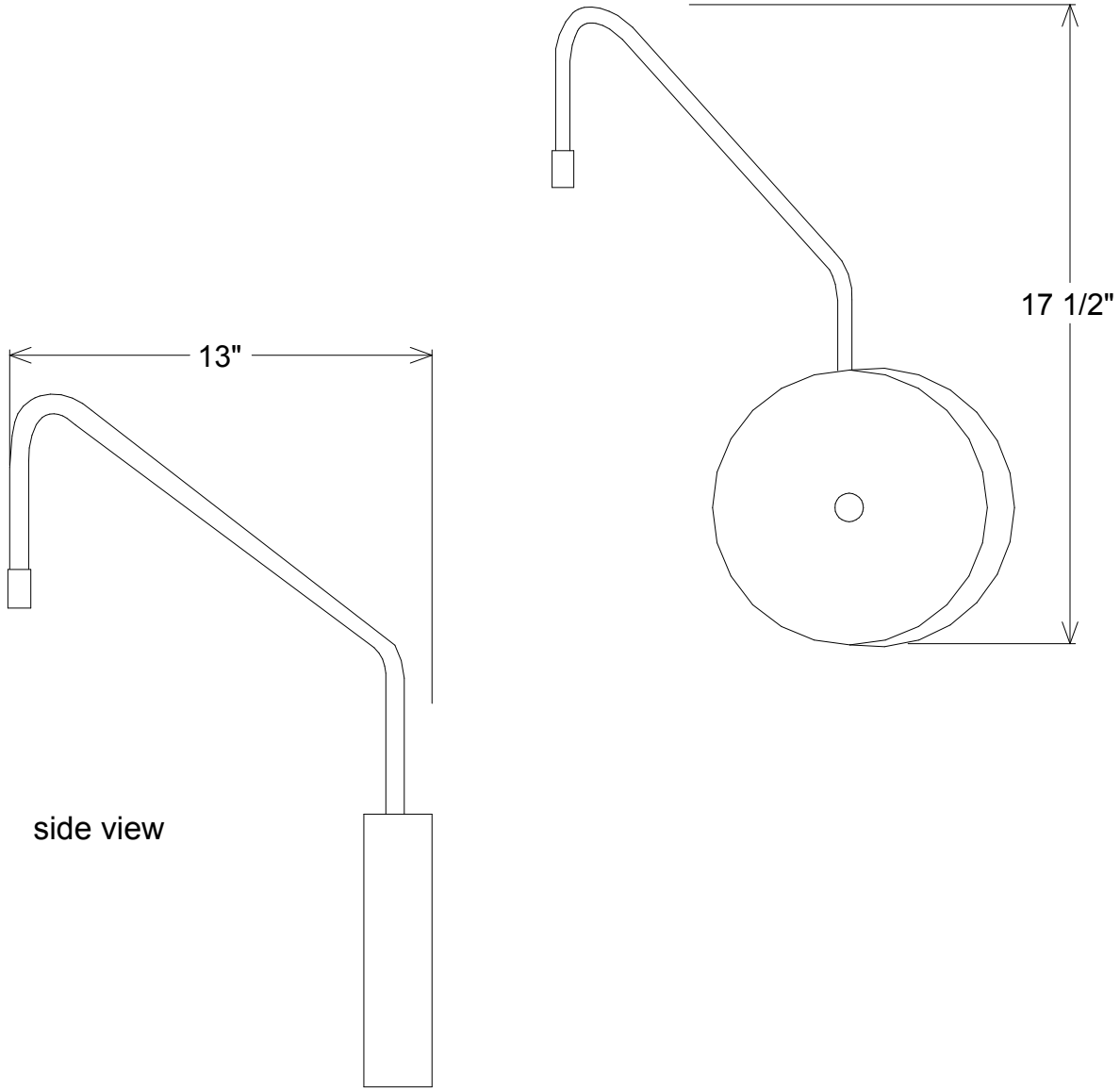


Revisions				
Zone	Rev	Description	Date	Approved



side view

Unless Otherwise Specified: Dimensions in Inches Tolerances: Fractional ± Angular: Mach ± Bend ± Two Place Decimal ± Three Place Decimal ±	Name		Date	Primelite Mfg. Corp.		
	Drawn	T.A.R.	10/11/10			
	Checked			612		
	ENG Appr.					
	MFR Appr.					
QA				Size	Drawing No.	Rev
Comments	CAD Generated Drawing Do Not Manually Update			A	0001	A
Pipe Size: 1/8"				Scale	CAD File	Sheet 1 of 1