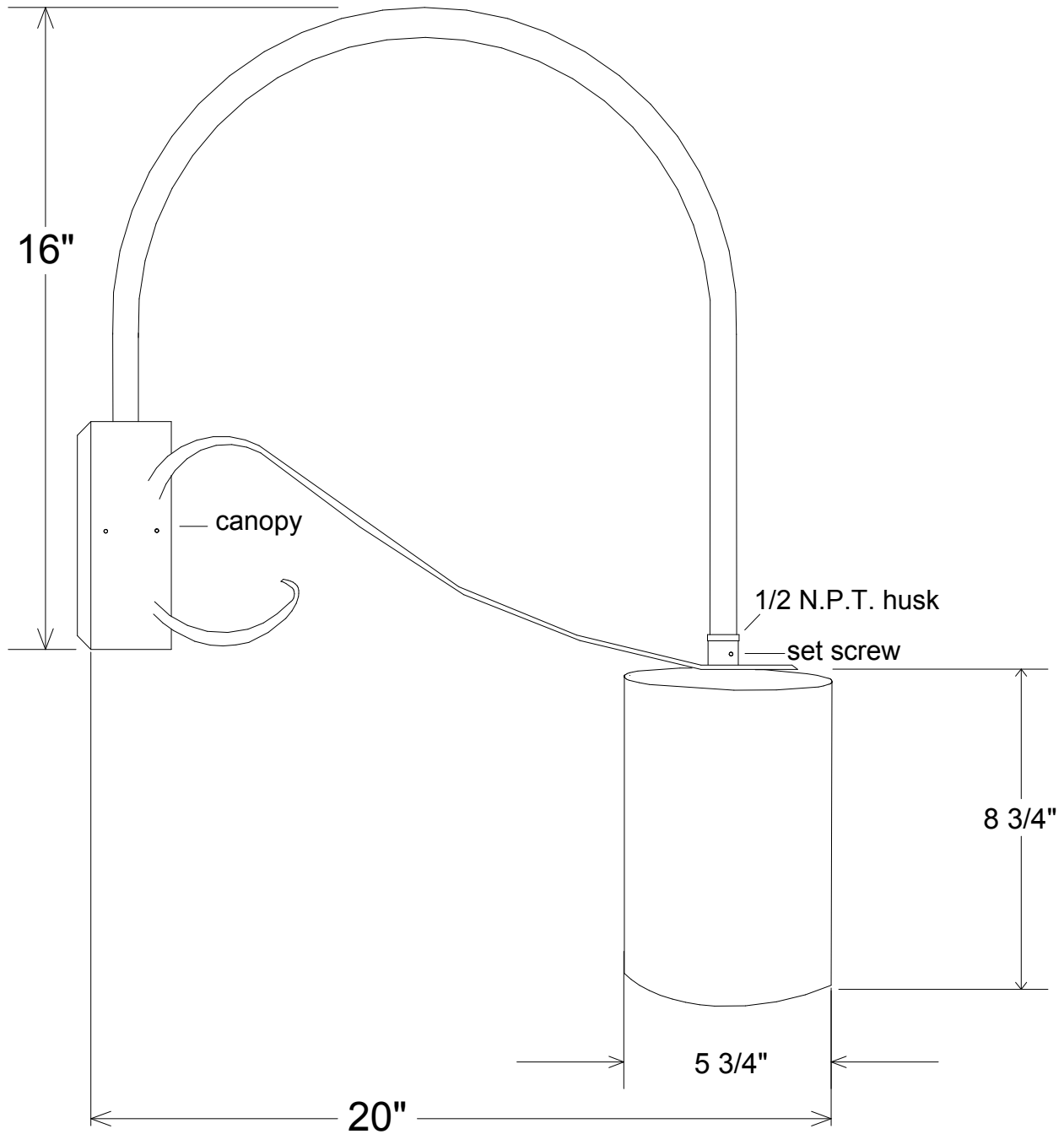


Revisions				
Zone	Rev	Description	Date	Approved



Unless Otherwise Specified: Dimensions in Inches Tolerances: Fractional ± Angular: Mach ± Bend ± Two Place Decimal ± Three Place Decimal ±		Name	Date	Primelite Mfg. Corp.					
	Drawn	T.A.R.	12/10/09				59/866 SCA		
	Checked			Size	Drawing No.	Rev			
	ENG Appr.			A	0001	A			
	MFR Appr.			Scale	CAD File	Sheet			
	QA			1:5		1 of 1			
Comments	CAD Generated Drawing Do Not Manually Update								
Construction: All Aluminum									
Pipe Size: 1/2"									
Lamp: 1-150A									