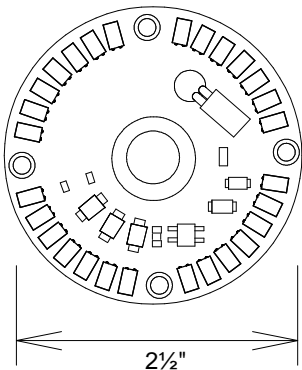


LED12



<b>Unless Otherwise Specified:</b> Dimensions in Inches Tolerances: Fractional ± Angular: Mach ± Bend ± Two Place Decimal ± Three Place Decimal ±		<b>Name</b>	<b>Date</b>	<b>Primelite Mfg. Corp.</b>				
	<b>Drawn</b>	iv	09/08/16			<b>59-54 LED12</b>		
	<b>Checked</b>			<b>90 Degree Swivel</b>				
	<b>ENG Appr.</b>					<b>Size</b>	<b>Drawing No.</b>	<b>Rev</b>
	<b>MFR Appr.</b>			<b>A</b>	<b>0001</b>	<b>A</b>		
<b>QA</b>			<b>Comments</b>		<b>Scale</b>	<b>CAD File</b>	<b>Sheet</b>	<b>1 of 1</b>
<b>Construction: All Aluminum</b>	CAD Generated Drawing Do Not Manually Update			<b>1:2</b>				
<b>Lamp: 1 - LED12</b>								