

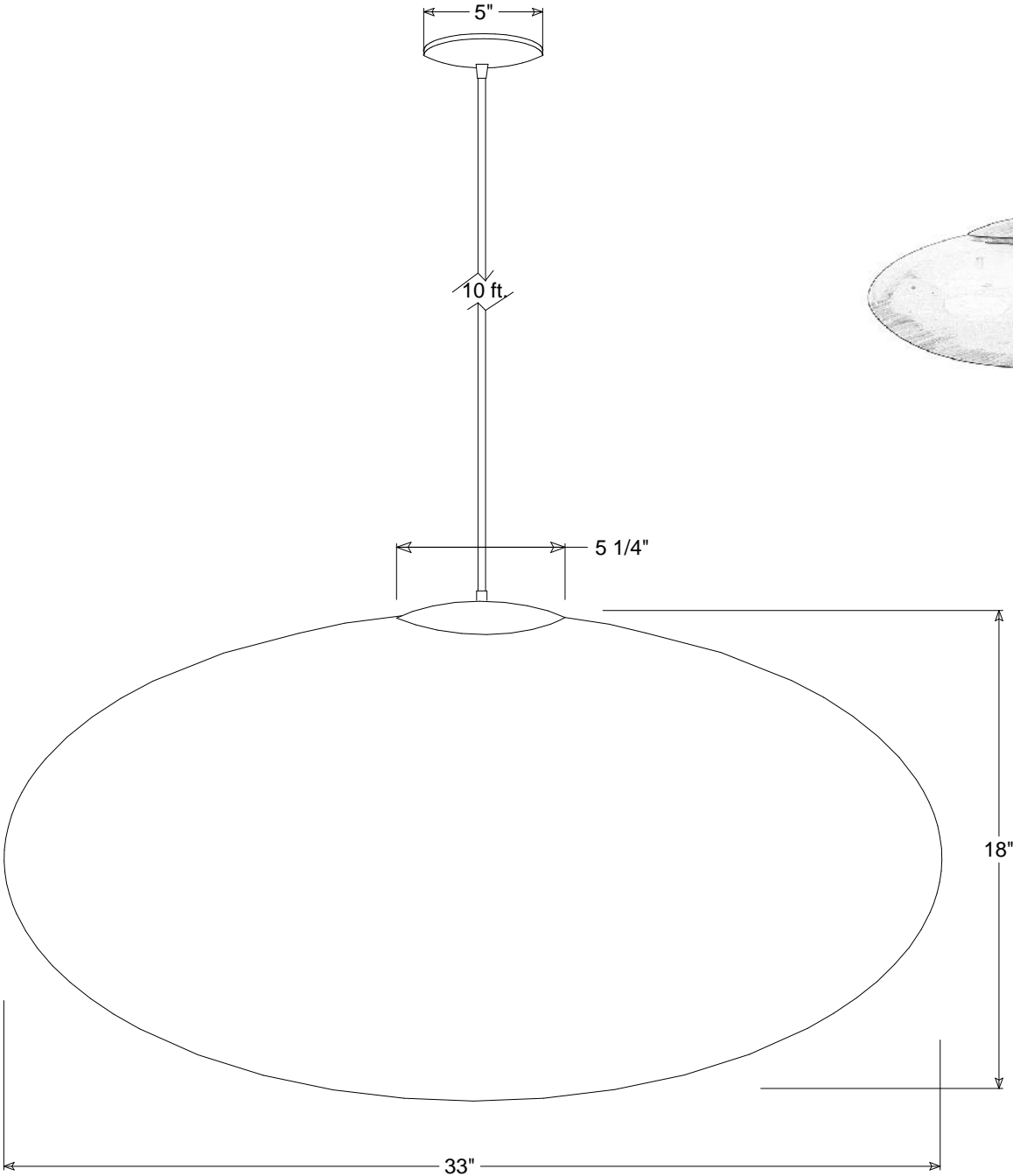


Primelite Manufacturing Corp

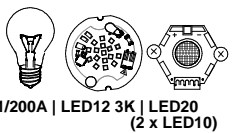
407 S Main St, Freeport, NY 11520

Phone: 516-868-4411 | Fax: 516-868-4609
 sales@primelite-mfg.com | www.primelite-mfg.com

PART # #589	LAMP Incandescent LED	VOLTAGE 120V	COLOR Powder Coated Paint
JOB NAME			TYPE Ellipsoid Globe Pendant



Lamp: Incandescent | LED



1/200A | LED12 3K | LED20
(2 x LED10)

Construction: Aluminum | Acrylic

Unless Otherwise Specified:
Dimensions in Inches

Name	Date	Globe Pendant #589		
Drawn iv	10/02/18	33" x 18" Ellipsoid Acrylic Globe 10' Vinyl Cord Smoked #589/1 White #589/3 Clear #589/4		
Checked		Size	Drawing No.	Rev
ENG Appr.		A	0001	A
MFR Appr.		Scale	CAD File	Sheet
QA				1 of 1
Globe Colors: Smoked #/1 White #/3 Clear #/4				

Revisions				
Zone	Rev	Description	Date	Approved