

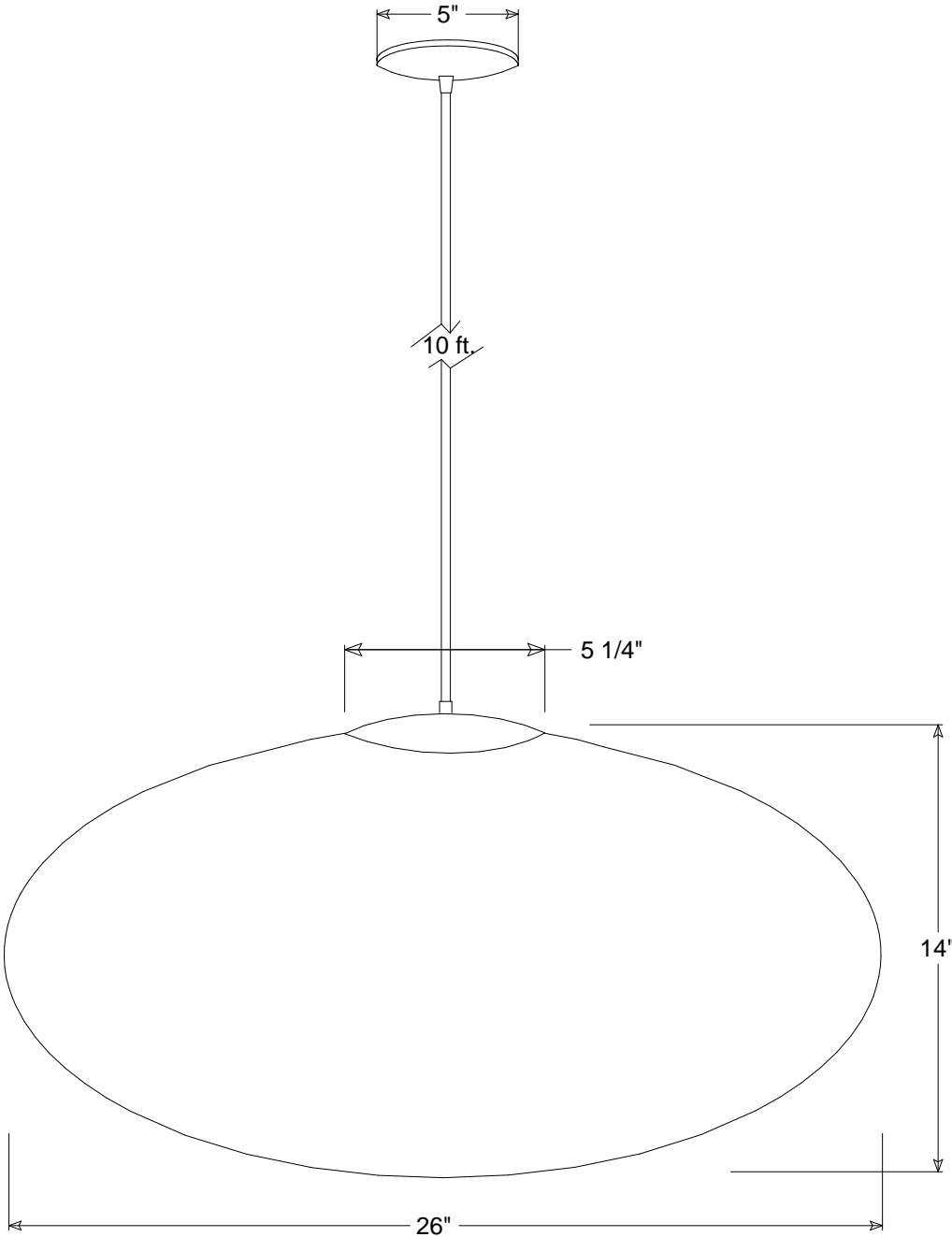


Primelite Manufacturing Corp

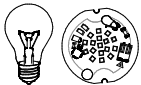
407 S Main St, Freeport, NY 11520

Phone: 516-868-4411 | Fax: 516-868-4609
 sales@primelite-mfg.com | www.primelite-mfg.com

| | | | |
|------------------------------|-----------------------------------|------------------------|--|
| PART # #588 | LAMP Incandescent LED | VOLTAGE 120V | COLOR Powder Coated Paint |
| JOB NAME | | | TYPE Ellipsoid Globe Pendant |



Lamp: Incandescent | LED



1/150A | LED12 3K

Construction: Aluminum | Acrylic

Unless Otherwise Specified:
 Dimensions in Inches

| Name | Date | Globe Pendant #588 | | |
|---|----------|--|-------------|---------------|
| Drawn: iv | 10/02/18 | 26" x 14" Ellipsoid Acrylic Globe 10' Vinyl Cord | | |
| Checked: | | Smoked #588/1 White #588/3 Clear #588/4 | | |
| ENG Appr.: | | Size | Drawing No. | Rev |
| MFR Appr.: | | A | 0001 | A |
| QA | | Scale | CAD File | Sheet |
| Globe Colors: Smoked #/1 White #/3 Clear #/4 | | | | 1 of 1 |

| Revisions | | | | |
|-----------|-----|-------------|------|----------|
| Zone | Rev | Description | Date | Approved |
| | | | | |
| | | | | |
| | | | | |