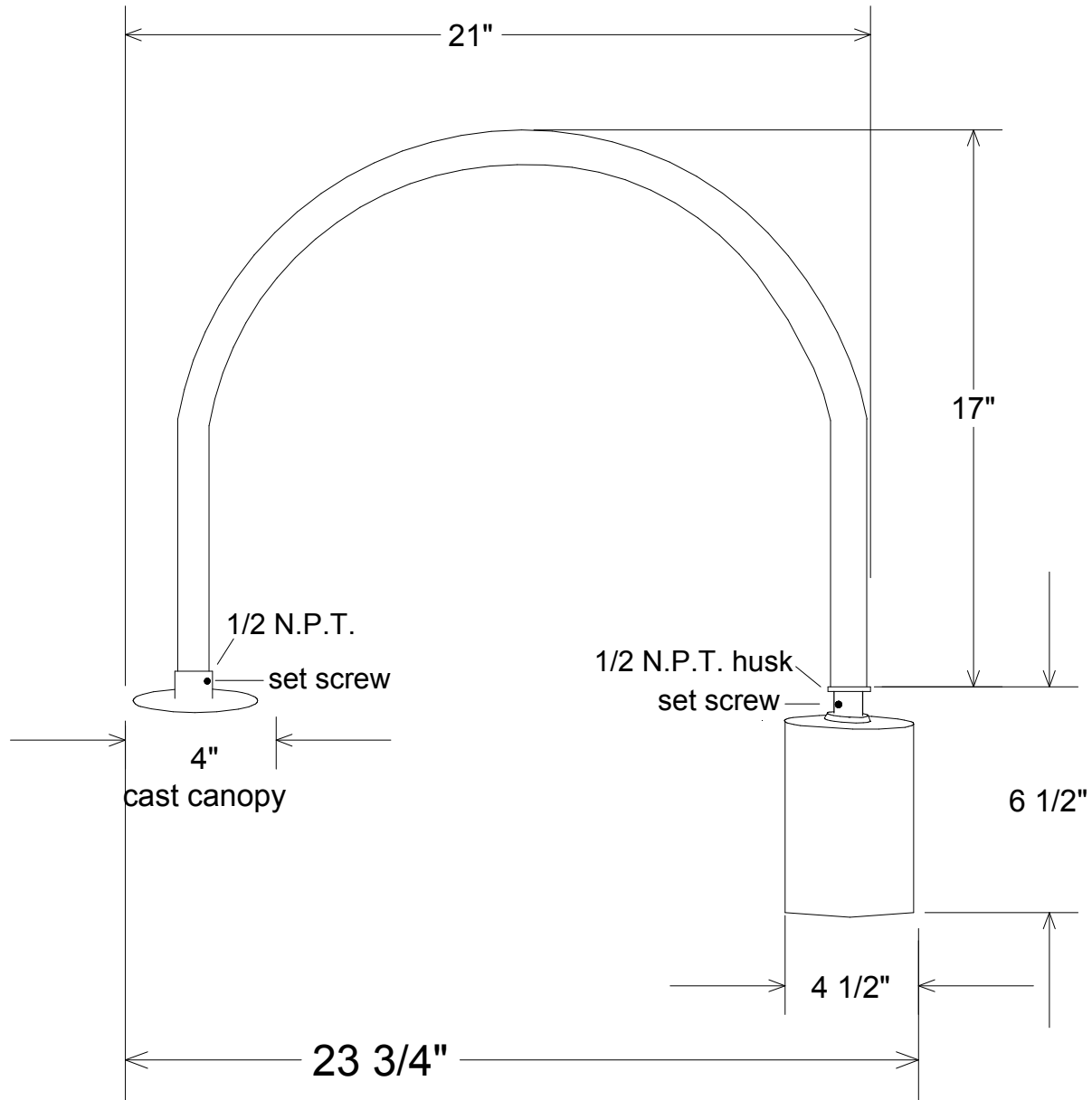


Revisions				
Zone	Rev	Description	Date	Approved



Unless Otherwise Specified: Dimensions in Inches Tolerances: Fractional ± Angular: Mach ± Bend ± Two Place Decimal ± Three Place Decimal ±	Drawn	T.A.R.	10/23/09	Primelite Mfg. Corp. 58/852	
	Checked				
	ENG Appr.				
	MFR Appr.				
	QA				
	Comments	CAD Generated Drawing Do Not Manually Update			
Construction: All Aluminum	Size	Drawing No.		Rev	
Pipe Size: 1/2"	A	0001		A	
Lamp: 1-75A	Scale	1:7	CAD File	Sheet	1 of 1