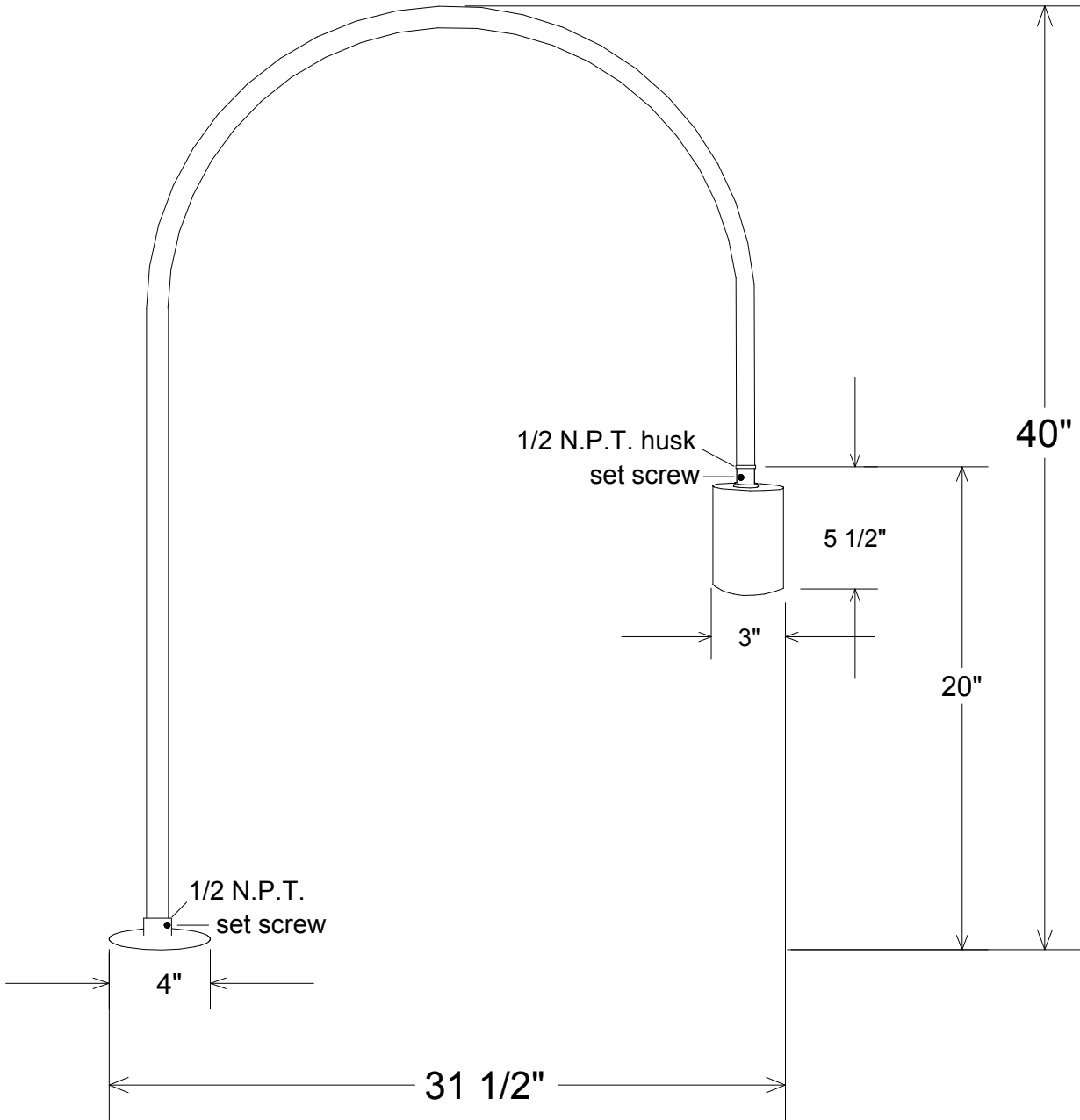


Revisions				
Zone	Rev	Description	Date	Approved



<b>Unless Otherwise Specified:</b> Dimensions in Inches Tolerances: Fractional ± Angular: Mach ± Bend ± Two Place Decimal ± Three Place Decimal ±	Name	Date	<b>Primelite Mfg. Corp.</b>  <b>57/854</b>		
	Drawn	T.A.R.			10/27/09
	Checked				
	ENG Appr.				
	MFR Appr.				
	QA				
	Comments	CAD Generated Drawing Do Not Manually Update			
Construction: All Aluminum			Size	Drawing No.	Rev
Pipe Size: 1/2"			<b>A</b>	<b>0001</b>	<b>A</b>
Lamp: 1-60A			Scale	CAD File	Sheet
			<b>1:7</b>		<b>1 of 1</b>