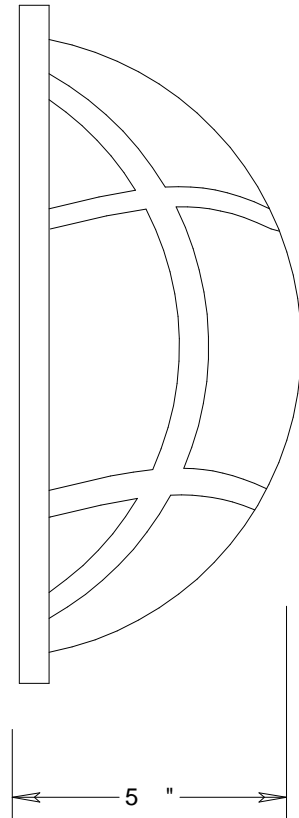
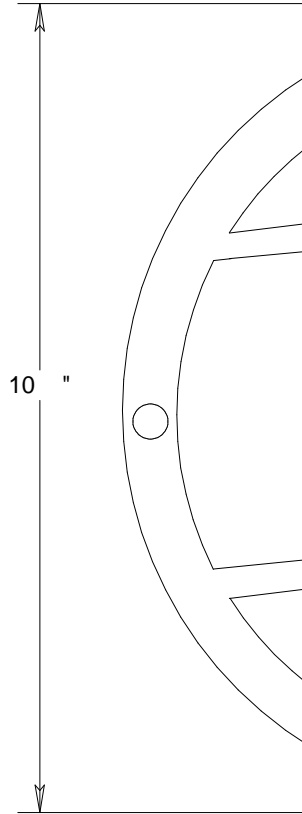





# Primelite Manufacturing Corp

407 S Main St, Freeport, NY 11520  
 Phone: 516-868-4411 | Fax: 516-868-4609  
 sales@primelite-mfg.com | www.primelite-mfg.com

<b>PART #</b> #5053	<b>LAMP</b> LED	<b>VOLTAGE</b> 120 V	<b>COLOR</b> Powerd Coated
<b>JOB NAME</b>			<b>TYPE</b>



<b>Lamp: LED</b>  LED23	<b>Name</b>		<b>Date</b>		<b>Wall Sconce #5053 LED23</b>  <b>Polyethylene</b>
	Drawn	iv	01/06/18		
	Checked				
	ENG Appr.				
	MFR Appr.				
<b>Construction: Polyethylene</b>	QA				Size <b>A</b> Drawing No. <b>0001</b> Rev <b>A</b>
<b>Unless Otherwise Specified:</b> Dimensions in Inches	Comments		Scale	CAD File	Sheet <b>1 of 1</b>

Revisions				
Zone	Rev	Description	Date	Approved