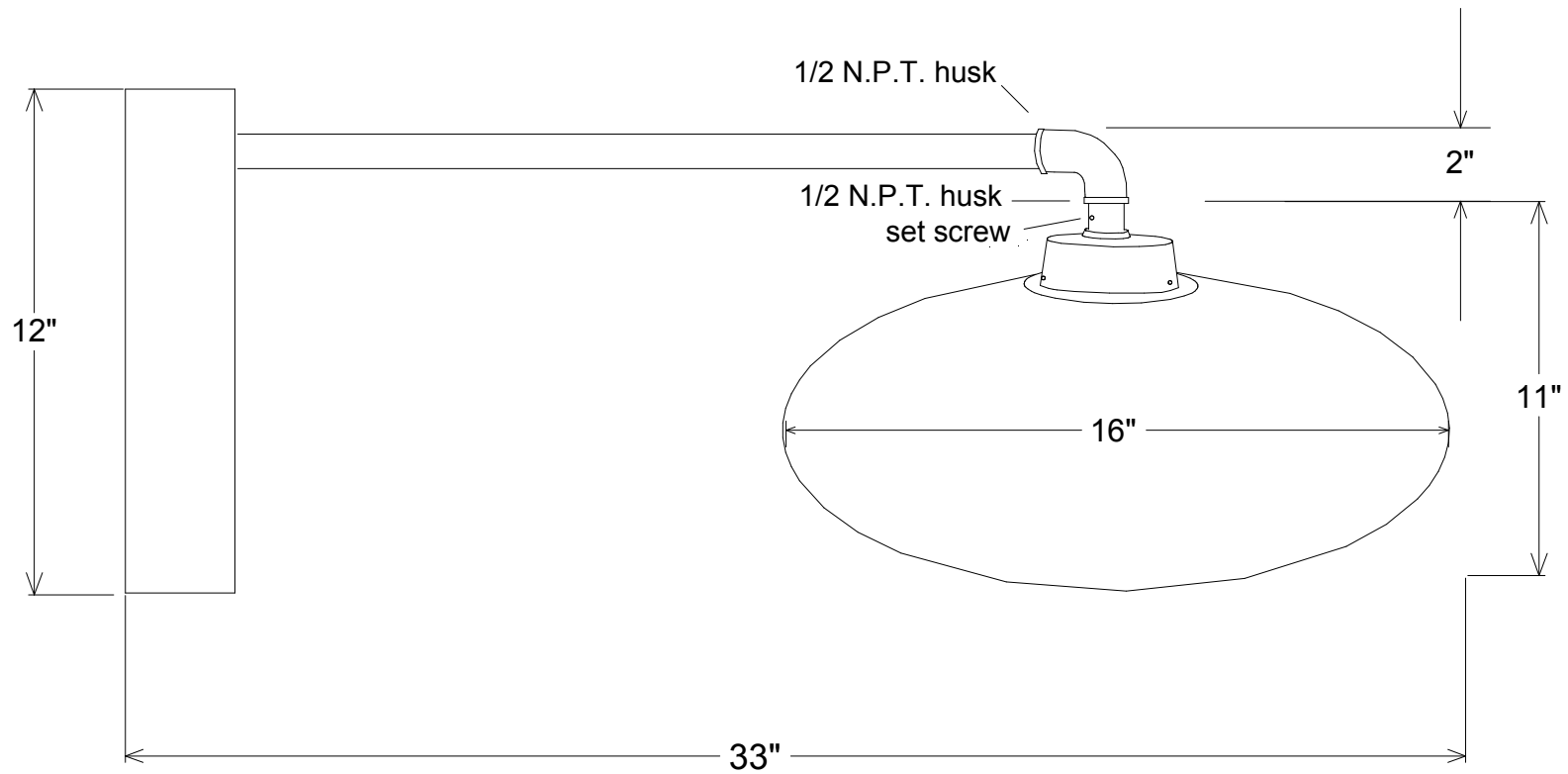


Revisions			Date	Approved
Zone	Rev	Description		



Unless Otherwise Specified: Dimensions in Inches Tolerances: Fractional ± Angular: Mach ± Bend ± Two Place Decimal ± Three Place Decimal ±		Name	Date	Primelite Mfg. Corp. 487-1855				
	Drawn	T.A.R.	04/16/10					
	Checked							
	ENG Appr.							
	MFR Appr.							
	QA							
	Comments	CAD Generated Drawing Do Not Manually Update						
Construction: All Aluminum				Size	Drawing No.	Rev		
Pipe Size: 1/2"				A	0001	A		
Lamp: 1-100A				Scale	1:4	CAD File	Sheet	1 of 1