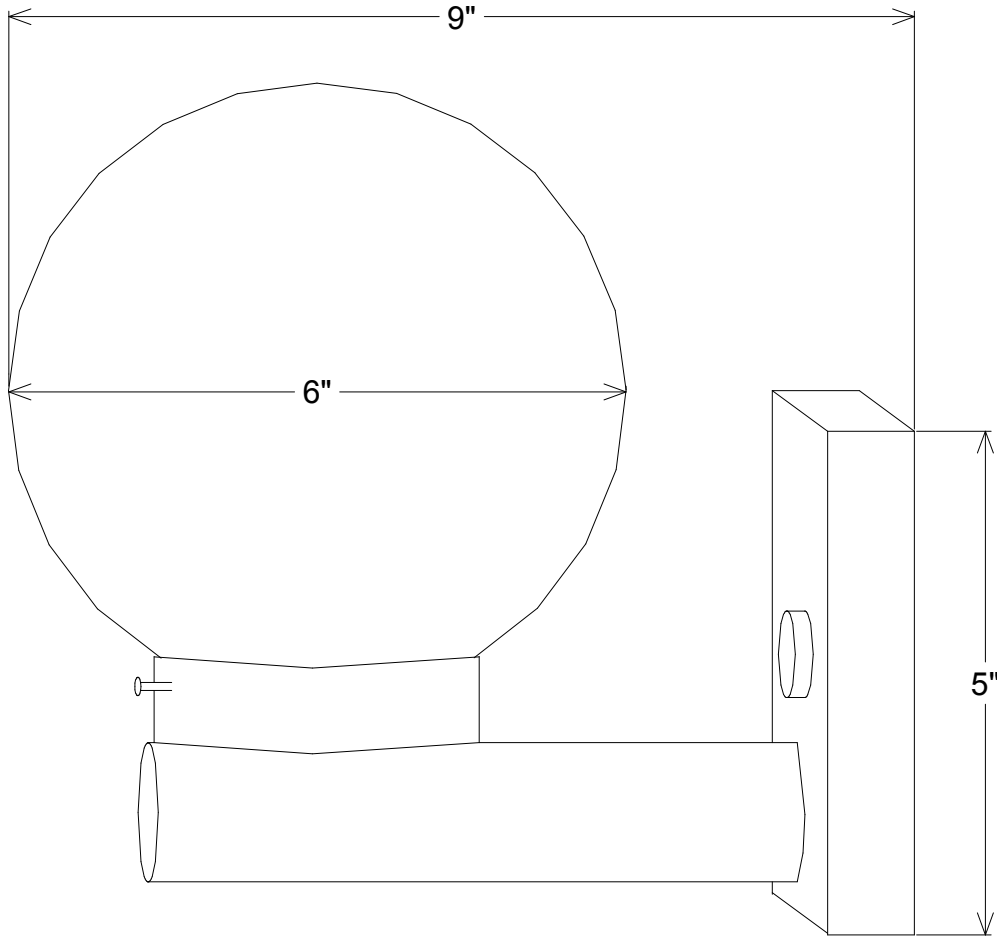


Revisions				
Zone	Rev	Description	Date	Approved



Unless Otherwise Specified:

Dimensions in Inches
 Tolerances: Fractional ±
 Angular: Mach ± Bend ±
 Two Place Decimal ±
 Three Place Decimal ±

**Construction: Aluminum,
 Polyethylene**

Lamp: 1-40A

	Name	Date
Drawn	T.A.R.	09/24/10
Checked		
ENG Appr.		
MFR Appr.		
QA		

Comments
 CAD Generated Drawing
 Do Not Manually Update

Primelite Mfg. Corp.

**4664
 Polyethylene**

Size A	Drawing No. 0001	Rev A
Scale 1:2	CAD File	Sheet 1 of 1