

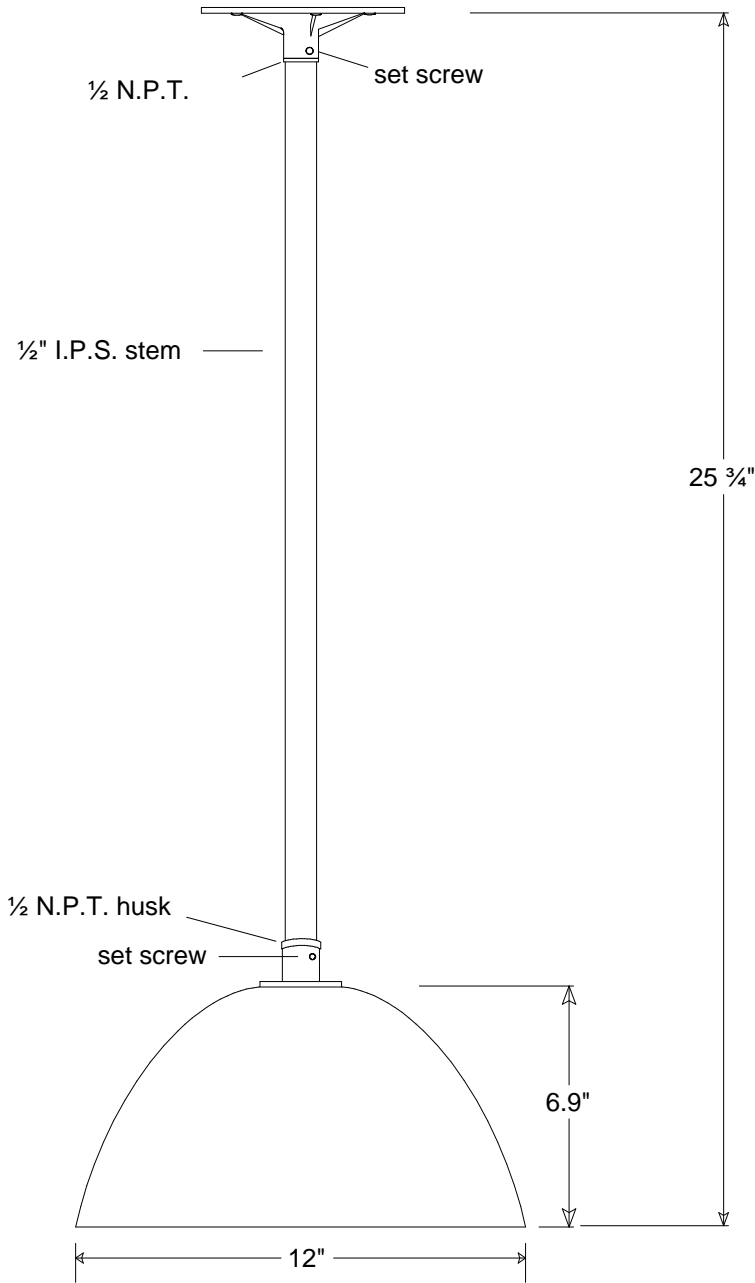


Primelite Manufacturing Corp

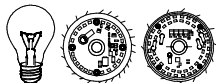
407 S Main St, Freeport, NY 11520

Phone: 516-868-4411 | Fax: 516-868-4609
 sales@primelite-mfg.com | www.primelite-mfg.com

PART # #46/12-18	LAMP Incandescent LED	VOLTAGE 120V	COLOR Powder Coated Paint
JOB NAME			TYPE Pendant



Lamp: Incandescent | LED



1/100A | LED12 | LED22

Construction: Aluminum

Unless Otherwise Specified:
Dimensions in Inches

Name	Date	Pendant #46/12-18		
Drawn iv	08/15/18	12" Dia Shade 18" Stem		
Checked		Size A	Drawing No. 0001	Rev A
ENG Appr.		Scale	CAD File	Sheet 1 of 1
MFR Appr.		Comments		
QA				

Revisions				
Zone	Rev	Description	Date	Approved