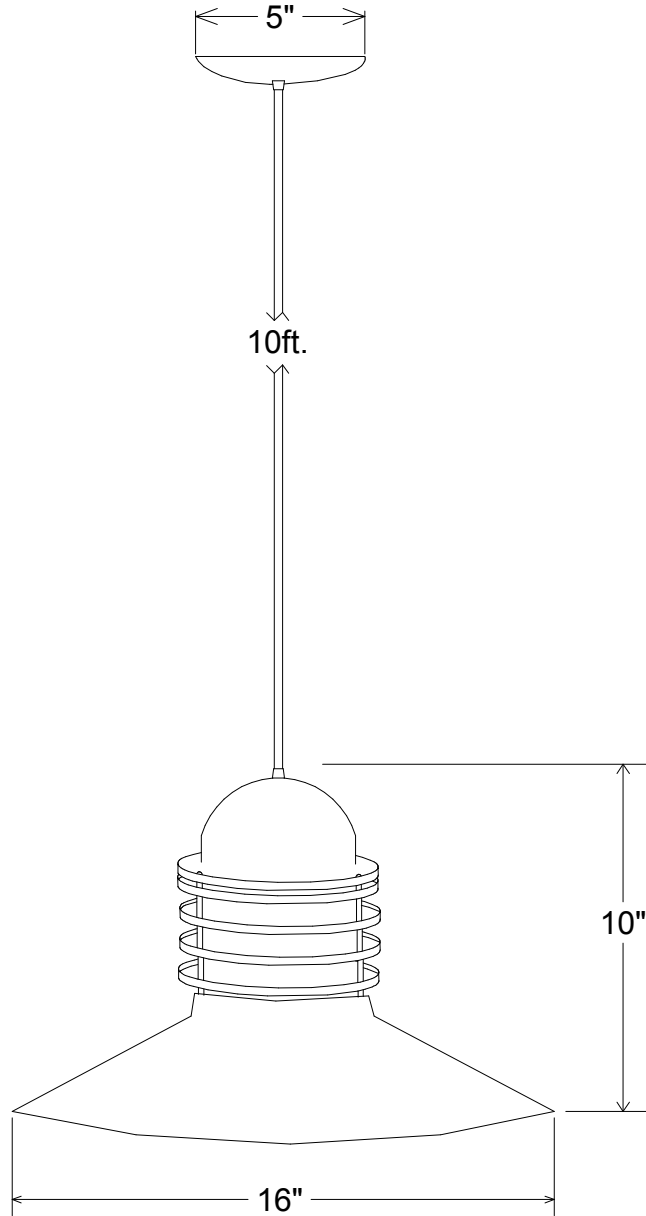


Revisions				
Zone	Rev	Description	Date	Approved



<b>Unless Otherwise Specified:</b> Dimensions in Inches Tolerances: Fractional ± Angular: Mach ± Bend ± Two Place Decimal ± Three Place Decimal ±	Name		Date		<b>Primelite Mfg. Corp.</b>  <b>427/16</b>		
	Drawn	T.A.R.	06/07/10				
	Checked				Size	Drawing No.	Rev
	ENG Appr.				<b>A</b>	<b>0001</b>	<b>A</b>
	MFR Appr.				Scale	CAD File	Sheet
QA				<b>1:5</b>		<b>1 of 1</b>	
Construction: All Aluminum	Comments						
Lamp: 1-100A	CAD Generated Drawing Do Not Manually Update						