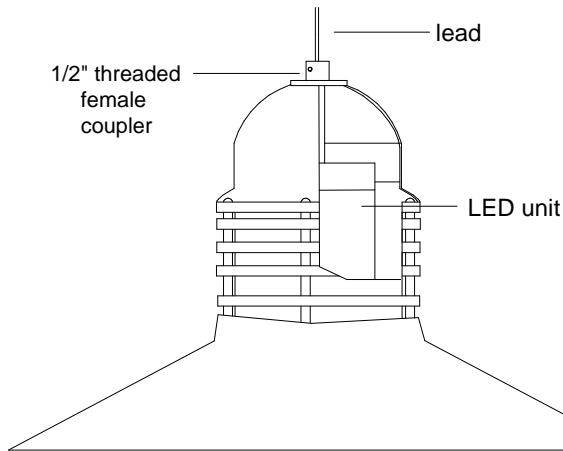
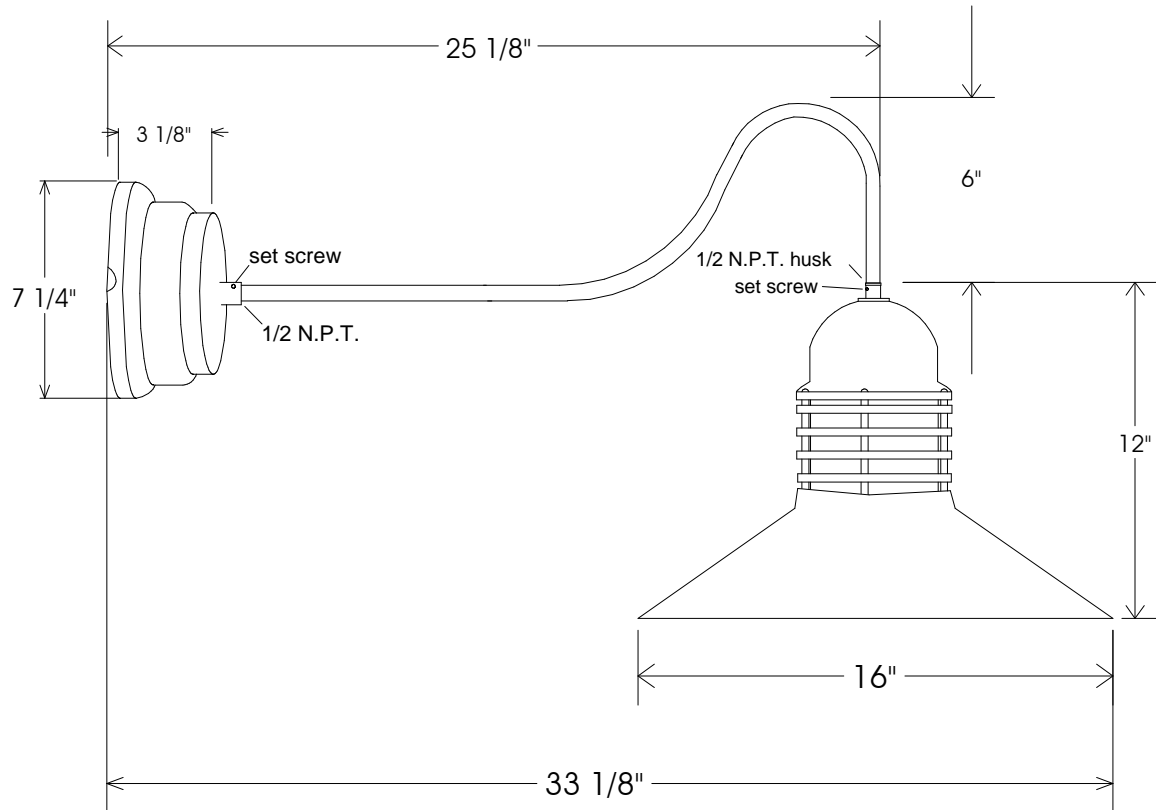
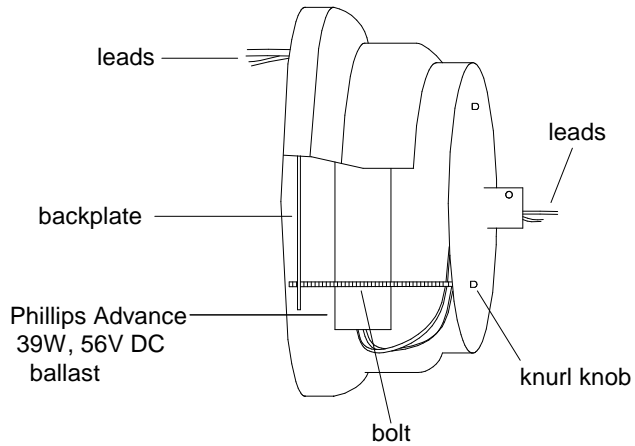


Small Ballast Pot Canopy



427/16A Shade

- 50,000 hour life
- Average savings is \$39.42 per year as compared to a 75 Watt incandescent
- Savings of \$ 518.16 for the life of the fixture
- Lumen output is equal to a 75 Watt bulb.

Unless Otherwise Specified: Dimensions in Inches Tolerances: Fractional ± Angular: Mach ± Bend ± Two Place Decimal ± Three Place Decimal ±	Name T.A.R.	Date 02/07/12	Primelite Mfg. Corp. 427/16-857 LED 30 Watt 1000 Lumens @ 3000K 1100 Lumens @ 4000K 24 Volt Output	
	Drawn			
	Checked			
	ENG Appr.			
	MFR Appr.			
Construction: All Aluminum	Comments CAD Generated Drawing Do Not Manually Update		Size A	Drawing No. 0001
Pipe Size: 1/2"			Scale	CAD File
			Sheet	1 of 1