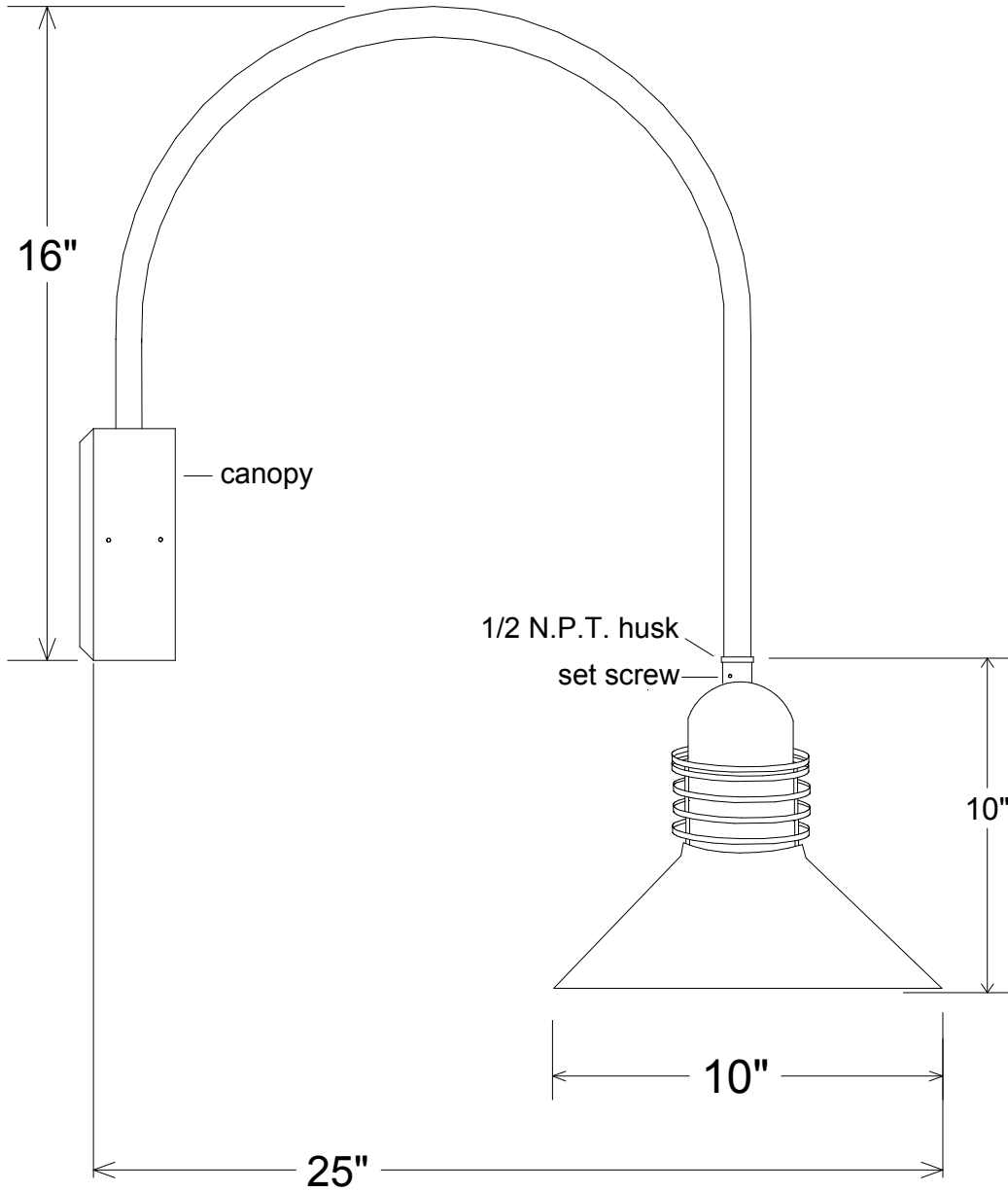


Revisions				
Zone	Rev	Description	Date	Approved



<b>Unless Otherwise Specified:</b> Dimensions in Inches Tolerances: Fractional ± Angular: Mach ± Bend ± Two Place Decimal ± Three Place Decimal ±		<b>Name</b>	<b>Date</b>	<b>Primelite Mfg. Corp.</b>  <b>427/16-866</b>			
	<b>Drawn</b>	T.A.R.	12/10/09				
	<b>Checked</b>				<b>Size</b> <b>A</b>	<b>Drawing No.</b> <b>0001</b>	<b>Rev</b> <b>A</b>
	<b>ENG Appr.</b>						
	<b>MFR Appr.</b>						
<b>QA</b>				<b>Scale</b> <b>1:5</b>	<b>CAD File</b>	<b>Sheet</b> <b>1 of 1</b>	
<b>Comments</b>	CAD Generated Drawing Do Not Manually Update						
<b>Construction: All Aluminum</b>							
<b>Pipe Size: 1/2"</b>							
<b>Lamp: 1-100A</b>							