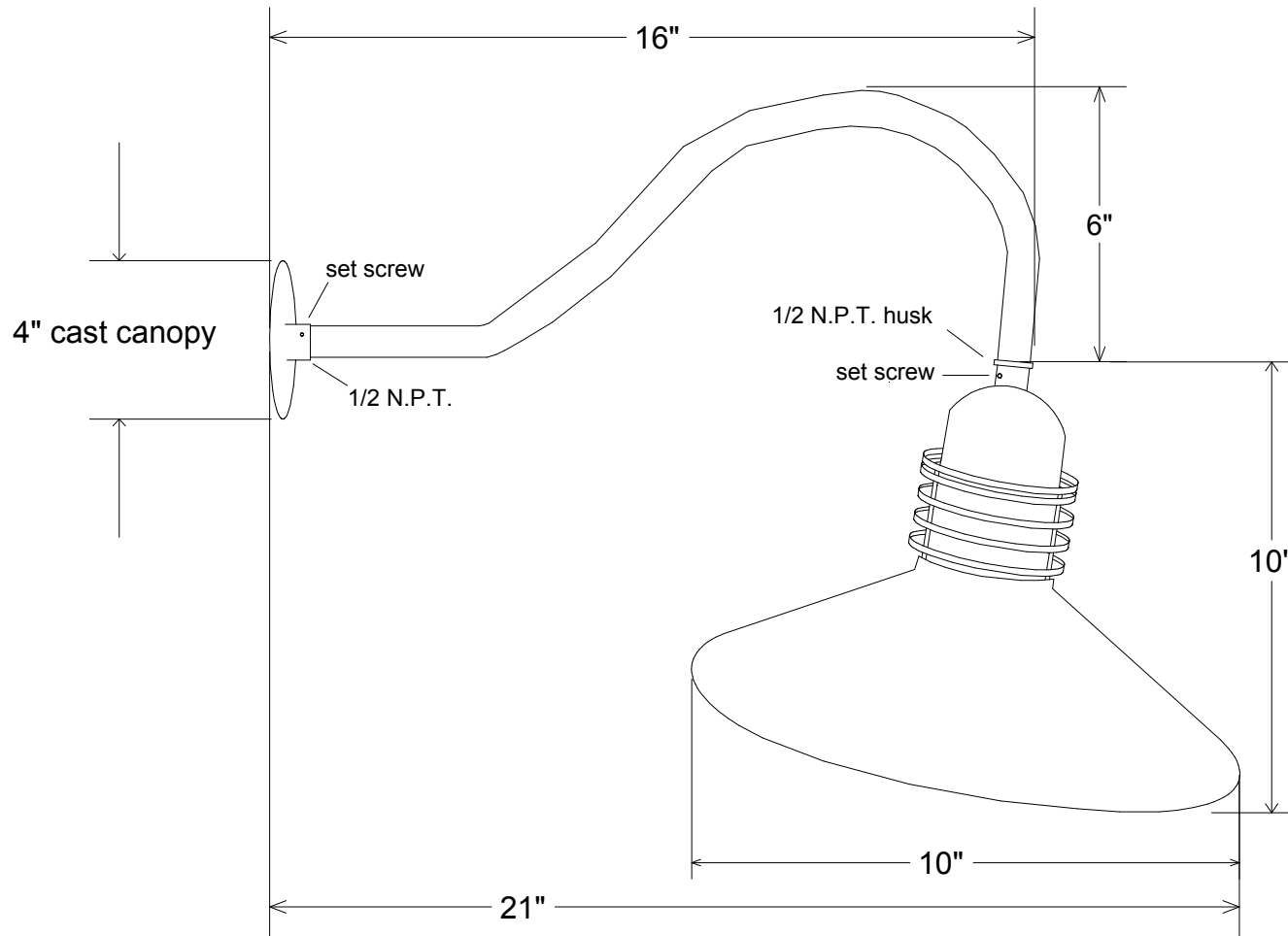


Revisions			Date	Approved
Zone	Rev	Description		



Unless Otherwise Specified: Dimensions in Inches Tolerances: Fractional ± Angular: Mach ± Bend ± Two Place Decimal ± Three Place Decimal ±	Name T.A.R.	Date 11/16/09	Primelite Mfg. Corp. 427/10-859		
	Drawn				
	Checked				
	ENG Appr.				
	MFR Appr.				
QA			Size A	Drawing No. 0001	Rev A
Construction: All Aluminum	Comments CAD Generated Drawing Do Not Manually Update		Scale 1:5	CAD File	Sheet 1 of 1
Pipe Size: 1/2"					
Lamp: 1-100A					