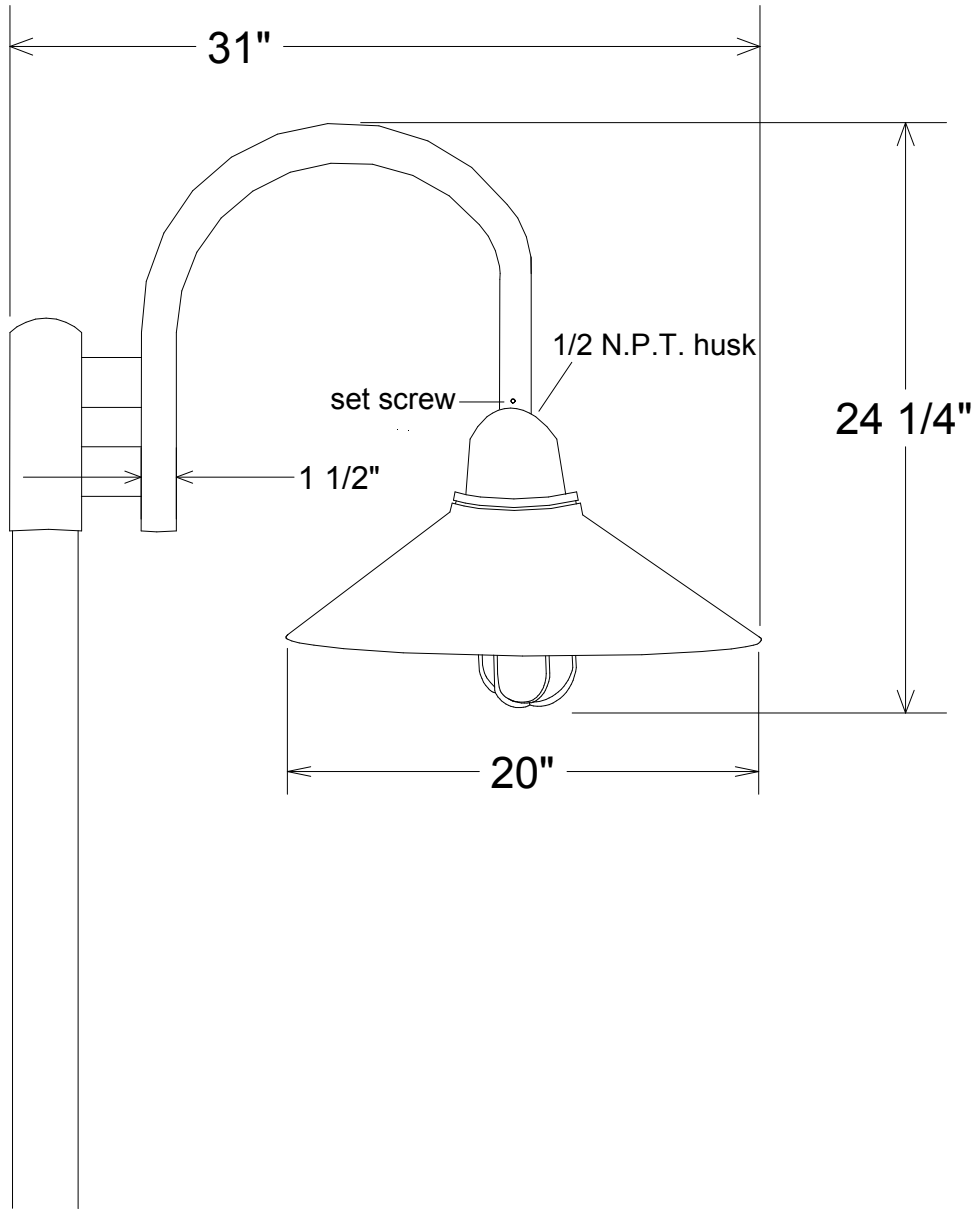


Revisions				
Zone	Rev	Description	Date	Approved



<b>Unless Otherwise Specified:</b> Dimensions in Inches Tolerances: Fractional ± Angular: Mach ± Bend ± Two Place Decimal ± Three Place Decimal ±	<b>Name</b>	<b>Date</b>	<b>Primelite Mfg. Corp.</b>  <b>423/20WG-1963</b>		
	<b>Drawn</b>	T.A.R.			11/17/09
	<b>Checked</b>				
	<b>ENG Appr.</b>				
	<b>MFR Appr.</b>				
<b>QA</b>			<b>Size</b> <b>Drawing No.</b> <b>Rev</b> <b>A</b> <b>0001</b> <b>A</b>		
<b>Construction: All Aluminum</b>	<b>Comments</b>		<b>Scale</b> <b>CAD File</b> <b>Sheet</b> <b>1:8</b> <b>1 of 1</b>		
<b>Pipe Size: 1 1/2"</b>	CAD Generated Drawing Wire Guard Cat# WG3 sold separately 70W, 100W, and 150W Metal Halide also available				
<b>Lamp: 1-100A incandescent</b>					