

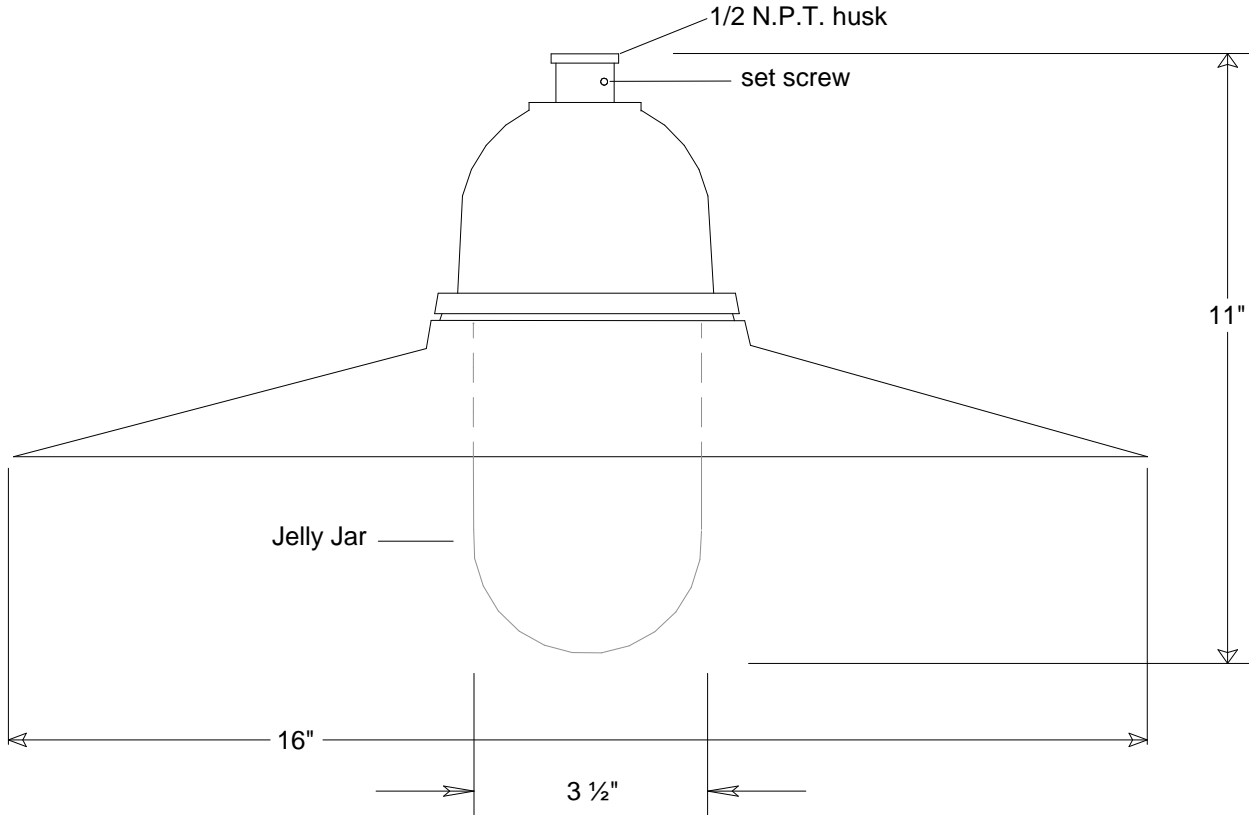


Primelite Manufacturing Corp

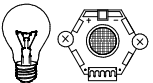
407 S Main St, Freeport, NY 11520

Phone: 516-868-4411 | Fax: 516-868-4609
 sales@primelite-mfg.com | www.primelite-mfg.com

PART # #423/16A	LAMP Incandescent LED	VOLTAGE 120 V	COLOR Power Coated Paint
JOB NAME			TYPE Shade



Lamp: Incandescent | LED



1/100A | LED10

Construction: Aluminum | Glass

Unless Otherwise Specified:
 Dimensions in Inches

Name	Date	Shade #423/16A												
Drawn iv	04/27/18													
Checked		16" Dia Shade 4" Dia Glass Jelly Jar												
ENG Appr.														
MFR Appr.		Size	Drawing No.	Rev	<table border="1"> <thead> <tr> <th colspan="2">Revisions</th> <th>Date</th> <th>Approved</th> </tr> </thead> <tbody> <tr> <td>Zone</td> <td>Rev</td> <td>Description</td> <td></td> </tr> </tbody> </table>		Revisions		Date	Approved	Zone	Rev	Description	
Revisions		Date	Approved											
Zone	Rev	Description												
QA		A	0001	A										
Jelly Jar	Clear, Frosted, Blue, Red, Green, Yellow	Scale	CAD File	Sheet	1 of 1									