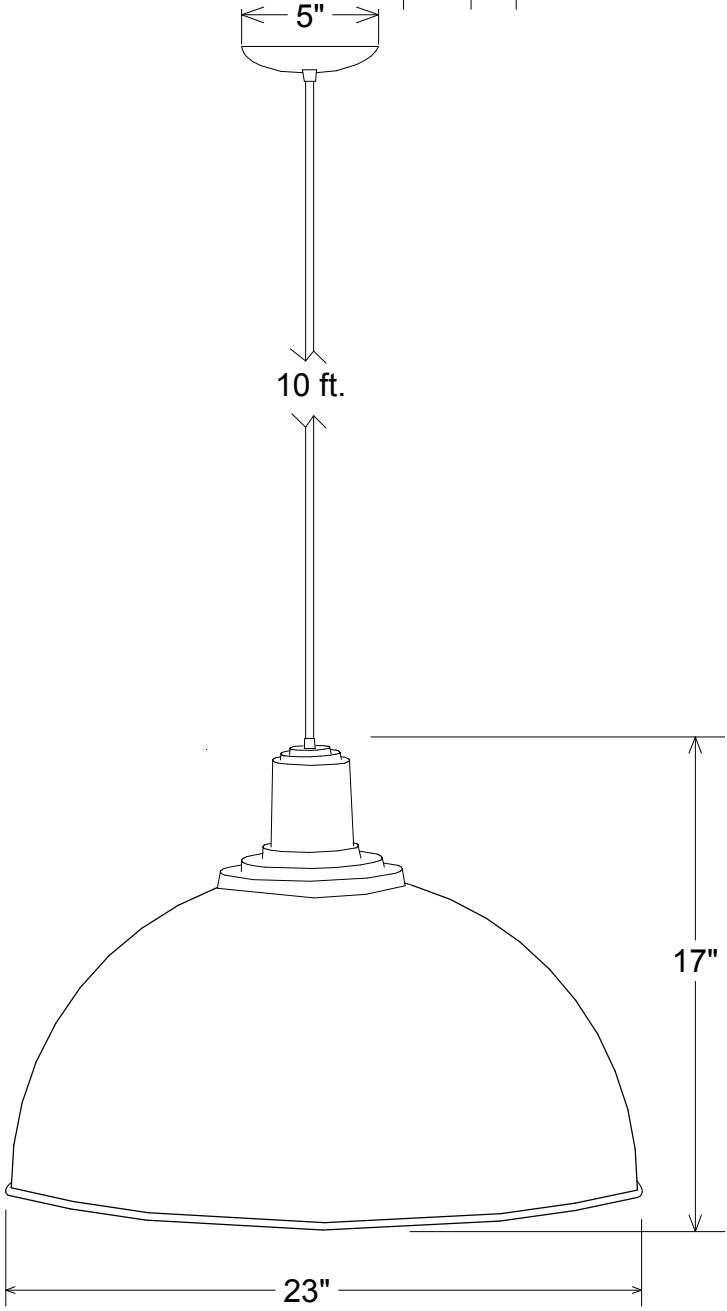


| Revisions |     |             |      |          |
|-----------|-----|-------------|------|----------|
| Zone      | Rev | Description | Date | Approved |
|           |     |             |      |          |
|           |     |             |      |          |
|           |     |             |      |          |



|  |   |             |                             |  |               |
|--|---|-------------|-----------------------------|--|---------------|
| <b>Unless Otherwise Specified:</b><br>Dimensions in Inches<br>Tolerances: Fractional ±<br>Angular: Mach ± Bend ±<br>Two Place Decimal ±<br>Three Place Decimal ± | <b>Name</b>                                     | <b>Date</b> | <b>Primelite Mfg. Corp.</b> |  |               |
|  | <b>Drawn</b>                                    | T.A.R.      |                             |  | 08/20/10      |
|  | <b>Checked</b>                                  |             |                             | <b>40/23</b><br>23" Dome Hood on 10 ft. cord |               |
|  | <b>ENG Appr.</b>                                |             |                             |  |               |
|  | <b>MFR Appr.</b>                                |             |                             |  |               |
| <b>QA</b>  |   |             | <b>Size</b>                 | <b>Drawing No.</b>                           | <b>Rev</b>    |
| <b>Construction: All Aluminum</b>  | <b>Comments</b>                                 |             | <b>A</b>                    | <b>0001</b>                                  | <b>A</b>      |
|  | CAD Generated Drawing<br>Do Not Manually Update |             | <b>Scale</b>                | <b>CAD File</b>                              | <b>Sheet</b>  |
| <b>Lamp: 1-300A</b>  |   |             | <b>1:7</b>                  |  | <b>1 of 1</b> |