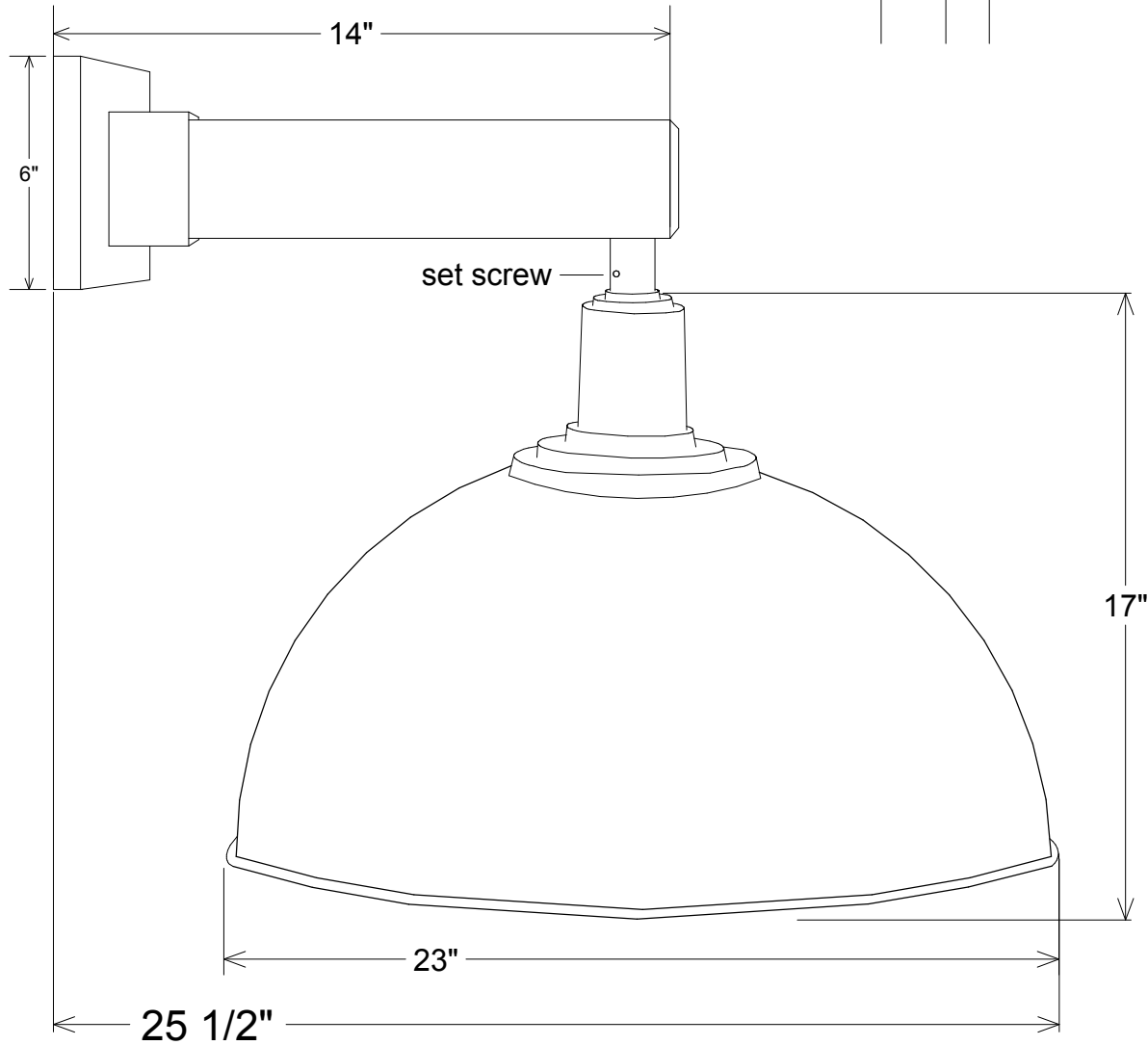


Revisions			Date	Approved
Zone	Rev	Description		



Unless Otherwise Specified: Dimensions in Inches Tolerances: Fractional ± Angular: Mach ± Bend ± Two Place Decimal ± Three Place Decimal ±	Name	Date	Primelite Mfg. Corp. 40/23-861		
	Drawn	T.A.R.			11/19/09
	Checked				
	ENG Appr.				
	MFR Appr.				
QA					
Comments	CAD Generated Drawing Do Not Manually Update		Size	Drawing No.	Rev
Construction: All Aluminum			A	0001	A
Pipe Size: 1/2"			Scale	CAD File	Sheet
Lamp: 1-300A			1:4		1 of 1