

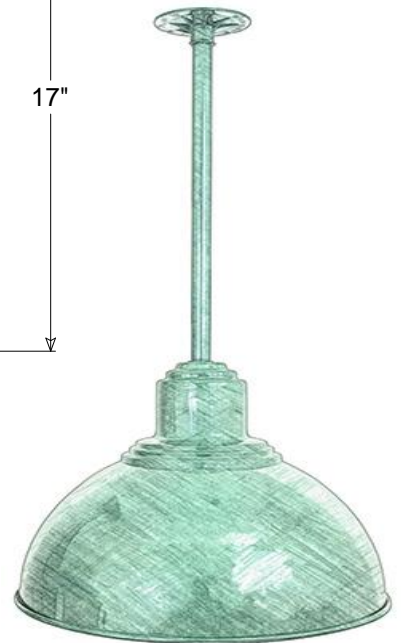
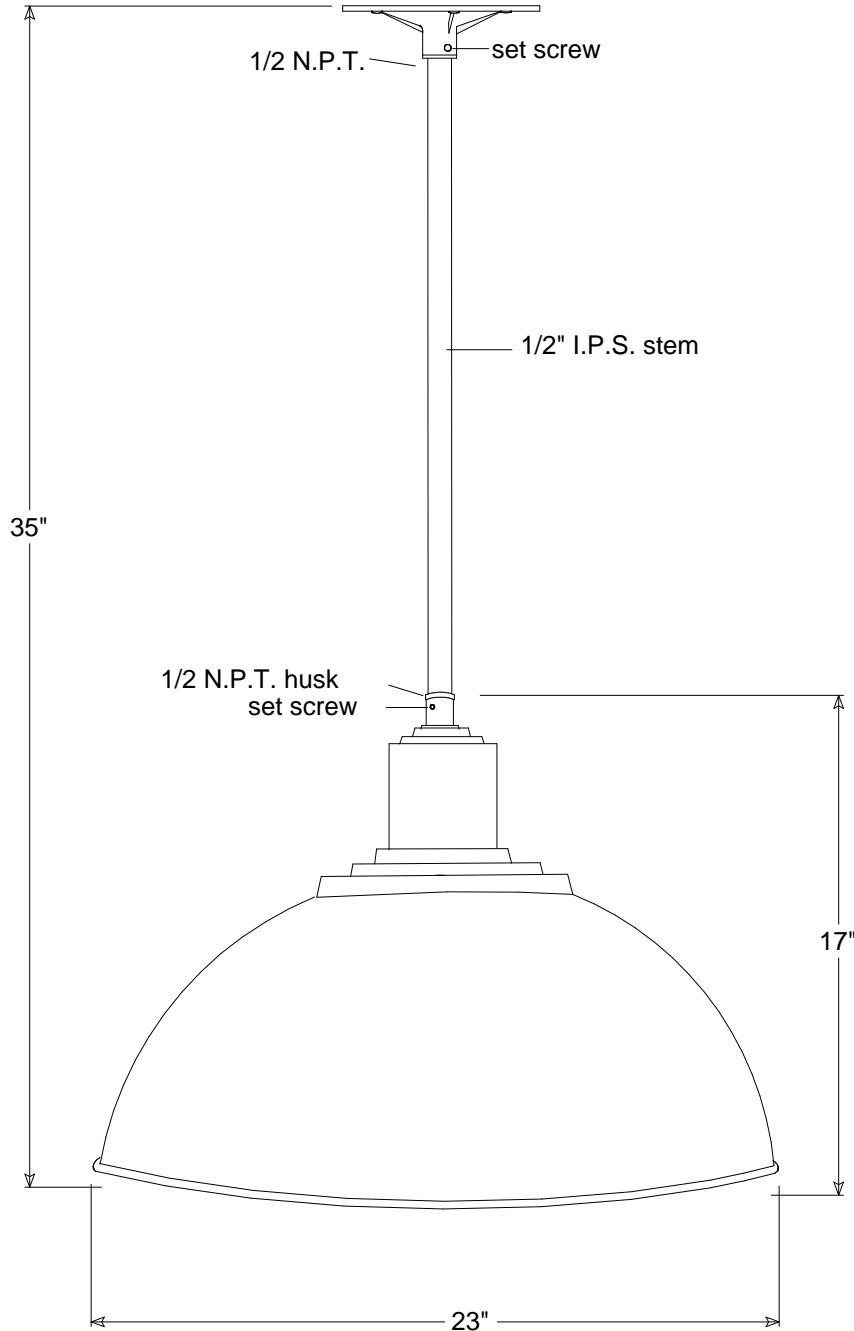


Primelite Manufacturing Corp

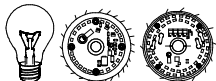
407 S Main St, Freeport, NY 11520

Phone: 516-868-4411 | Fax: 516-868-4609
 sales@primelite-mfg.com | www.primelite-mfg.com

PART # #40/23-18	LAMP Incandescent LED	VOLTAGE 120 V	COLOR Powder Coated Paint
JOB NAME			TYPE Pendant



Lamp: Incandescent | LED



1/100A | LED12 | LED22

Construction: Aluminum

Unless Otherwise Specified:
Dimensions in Inches

Name	Date	Pendant #40/23-18		
Drawn: iv	05/18/18	23" Dia Shade 18" Stem		
Checked:		Size: A	Drawing No.: 0001	Rev: A
ENG Appr.:		Scale:	CAD File:	Sheet: 1 of 1
MFR Appr.:		Comments:		
QA:				

Revisions				
Zone	Rev	Description	Date	Approved