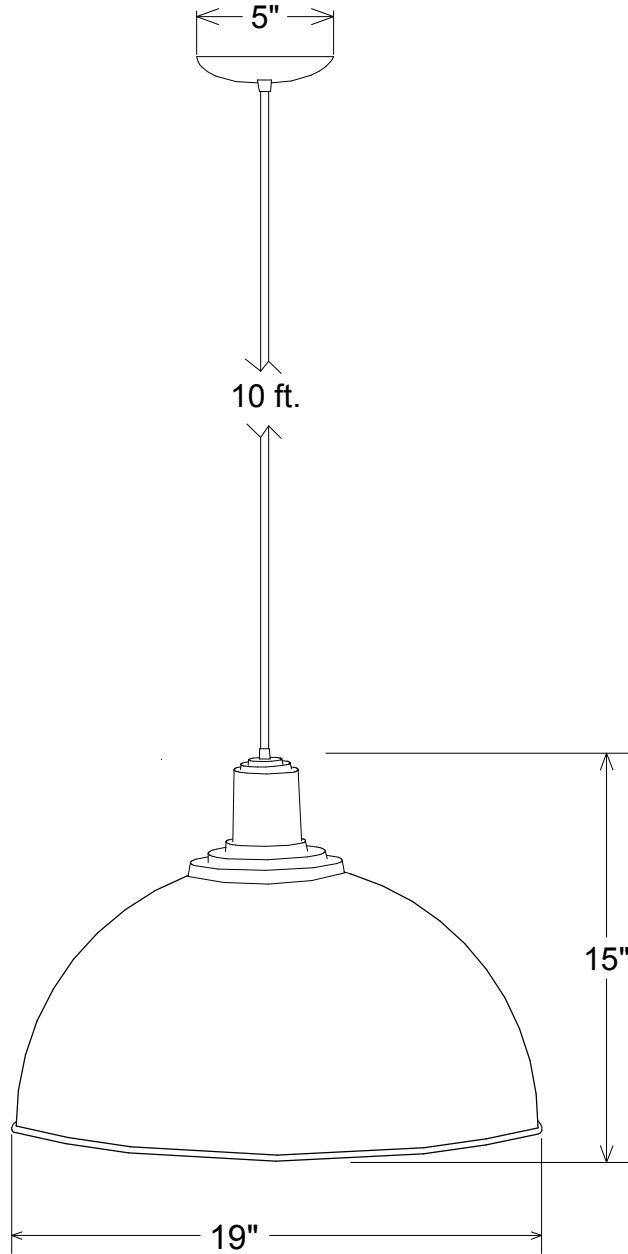


| Revisions | | | | |
|-----------|-----|-------------|------|----------|
| Zone | Rev | Description | Date | Approved |
| | | | | |
| | | | | |
| | | | | |



| | | | | | |
|--|---|-------------|---|--------------------|---------------|
| Unless Otherwise Specified: Dimensions in Inches Tolerances: Fractional ± Angular: Mach ± Bend ± Two Place Decimal ± Three Place Decimal ± | Name | Date | Primelite Mfg. Corp. 40/19 19" Dome Hood on 10 ft. cord | | |
| | Drawn | T.A.R. | | | 08/20/10 |
| | Checked | | | | |
| | ENG Appr. | | | | |
| | MFR Appr. | | | | |
| QA | | | Size | Drawing No. | Rev |
| Construction: All Aluminum | Comments | | A | 0001 | A |
| | CAD Generated Drawing Do Not Manually Update | | Scale | CAD File | Sheet |
| Lamp: 1-300A | | | 1:7 | | 1 of 1 |