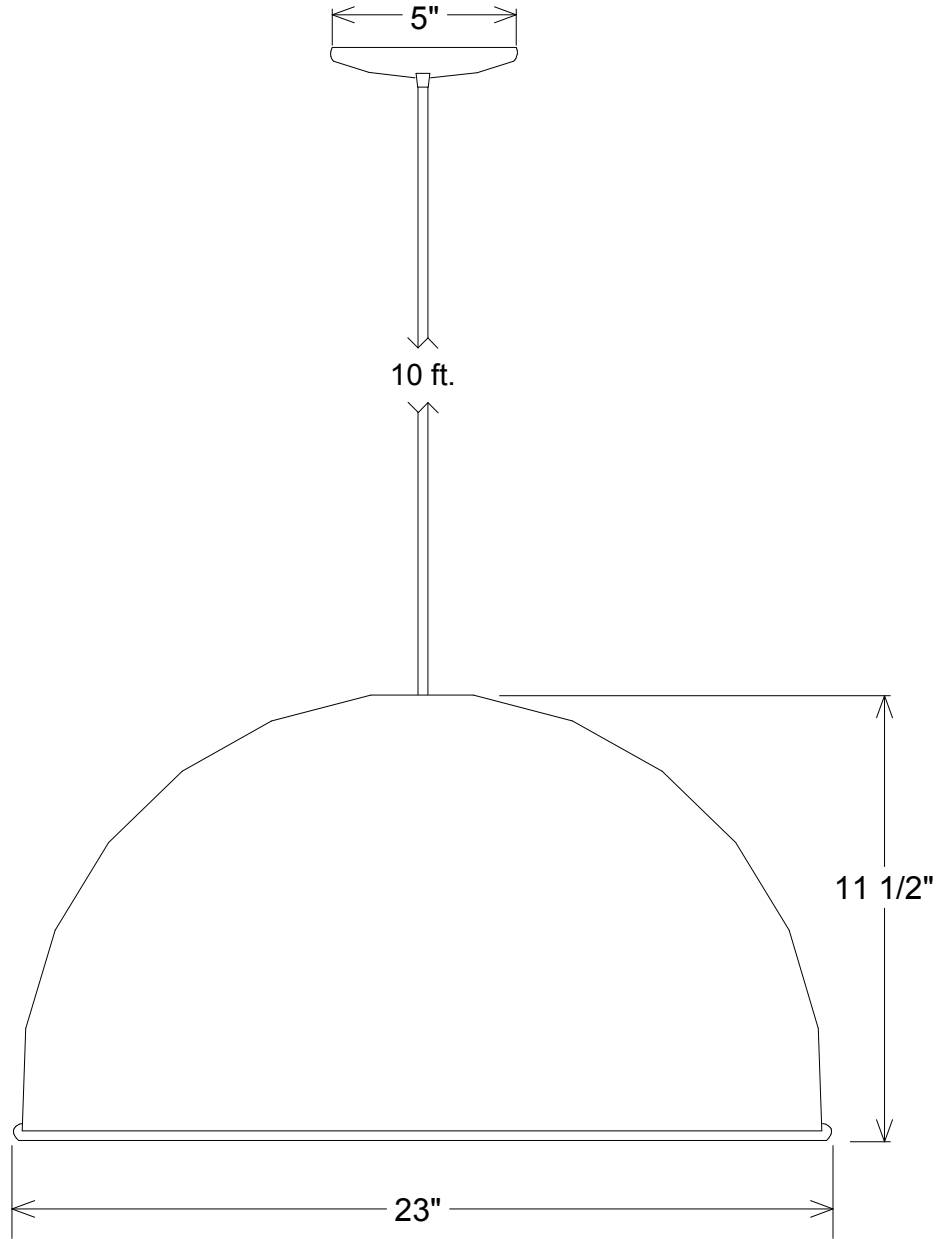


Revisions				
Zone	Rev	Description	Date	Approved



Unless Otherwise Specified: Dimensions in Inches Tolerances: Fractional ± Angular: Mach ± Bend ± Two Place Decimal ± Three Place Decimal ±		Name	Date	Primelite Mfg. Corp.		
	Drawn	T.A.R.	06/15/10			
	Checked			Size	Drawing No.	Rev
	ENG Appr.			A	0001	A
	MFR Appr.			Scale	CAD File	Sheet
QA			1:5		1 of 1	
Construction: All Aluminum	Comments					
Lamp: 1-500A	CAD Generated Drawing Do Not Manually Update					