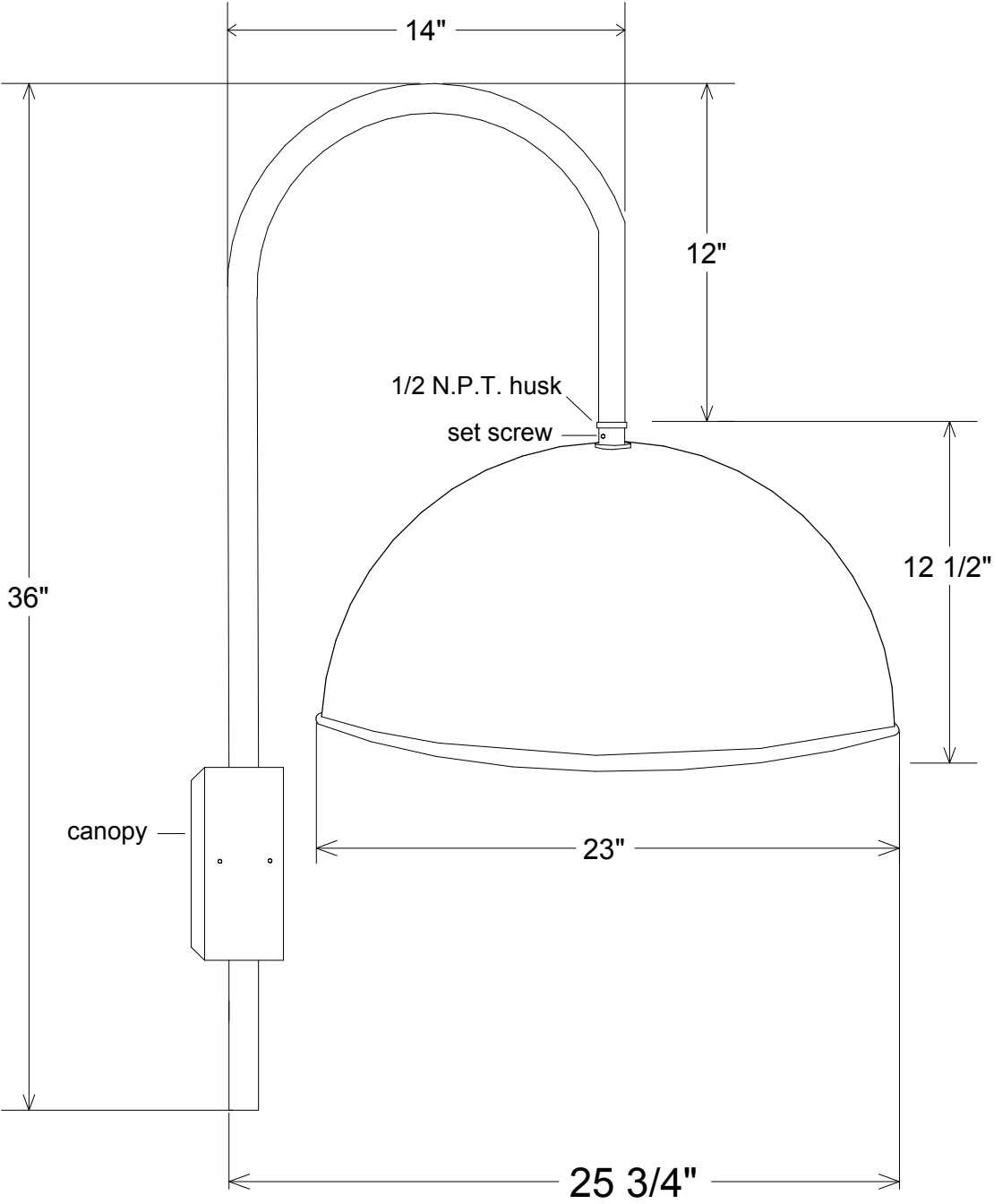


Revisions				
Zone	Rev	Description	Date	Approved



<b>Unless Otherwise Specified:</b> Dimensions in Inches Tolerances: Fractional ± Angular: Mach ± Bend ± Two Place Decimal ± Three Place Decimal ±	<b>Name</b>	<b>Date</b>	<b>Primelite Mfg. Corp.</b>  <b>39/23-862</b>			
	<b>Drawn</b>	T.A.R.				11/03/09
	<b>Checked</b>			Size <b>A</b> Drawing No. <b>0001</b> Rev <b>A</b>		
	<b>ENG Appr.</b>					
	<b>MFR Appr.</b>					
<b>QA</b>			Scale <b>1:6</b> CAD File      Sheet <b>1 of 1</b>			
<b>Comments</b>	CAD Generated Drawing Do Not Manually Update					
<b>Construction: All Aluminum</b>						
<b>Pipe Size: 1/2"</b>						
<b>Lamp: 1-500A</b>						