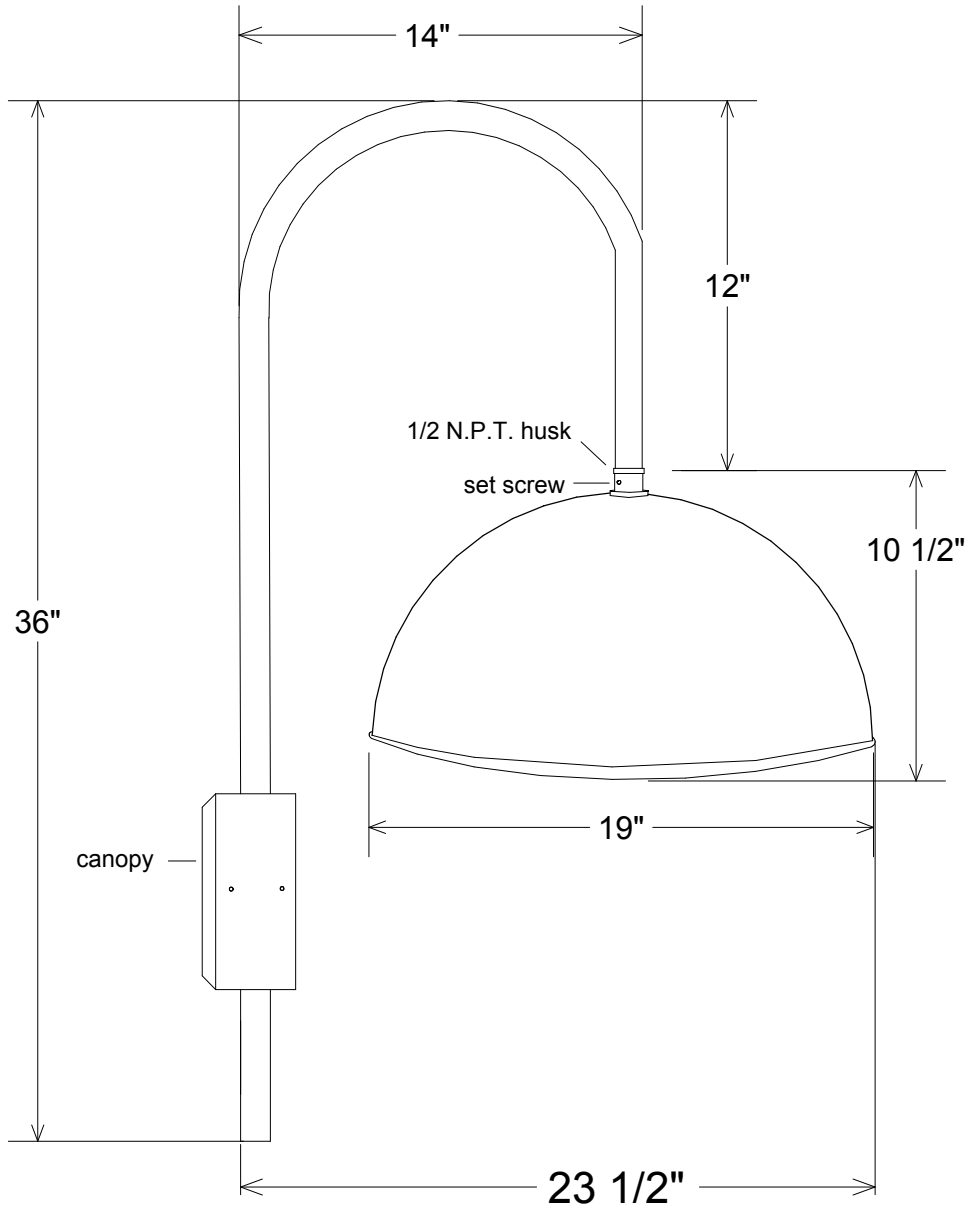


Revisions				
Zone	Rev	Description	Date	Approved



<b>Unless Otherwise Specified:</b> Dimensions in Inches Tolerances: Fractional ± Angular: Mach ± Bend ± Two Place Decimal ± Three Place Decimal ±		Name	Date	<b>Primelite Mfg. Corp.</b> <b>39/19-862</b>		
	Drawn	T.A.R.	11/03/09			
	Checked			Size	Drawing No.	Rev
	ENG Appr.			<b>A</b>	<b>0001</b>	<b>A</b>
	MFR Appr.			Scale	CAD File	Sheet
QA			<b>1:6</b>		<b>1 of 1</b>	
Construction: All Aluminum	Comments					
Pipe Size: 1/2"	CAD Generated Drawing Do Not Manually Update					
Lamp: 1-300A						