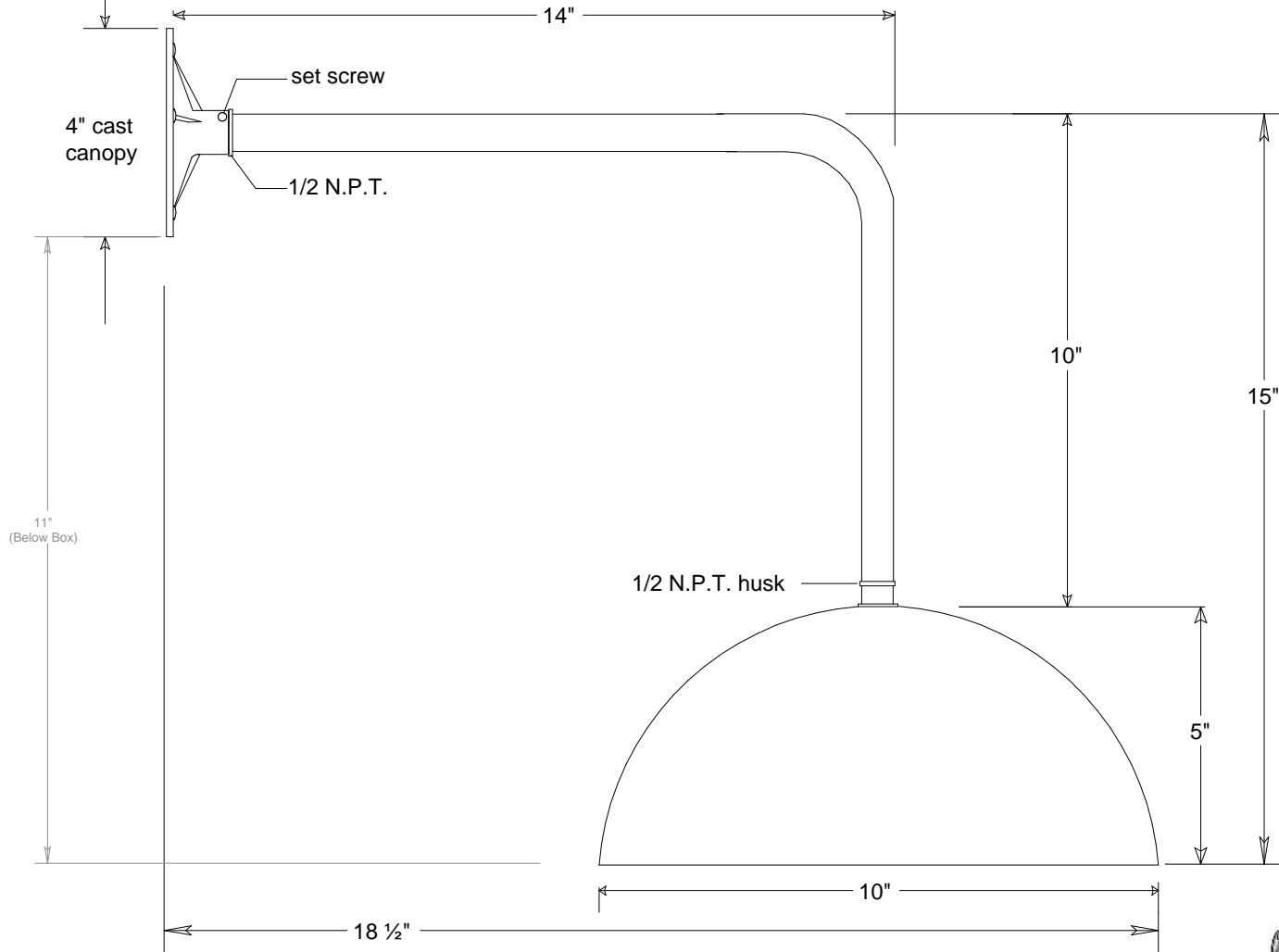




Primelite Manufacturing Corp

407 S Main St, Freeport, NY 11520
 Phone: 516-868-4411 | Fax: 516-868-4609
 sales@primelite-mfg.com | www.primelite-mfg.com

PART #	LAMP	VOLTAGE	COLOR
JOB NAME			TYPE



Unless Otherwise Specified: Dimensions in Inches Tolerances: Fractional ± Angular: Mach ± Bend ± Two Place Decimal ± Three Place Decimal ±	Name	Date	Gooseneck #39/10-870			
	Drawn	lv				11/22/17
	Checked			10" Shade 14" Arm 11" Below Box		
	ENG Appr.					
MFR Appr.			Size	Drawing No.	Rev	
QA			A	0001	A	
Construction: Aluminum, acrylic	Comments		Scale	CAD File	Sheet	
Lamp: Incandescent LED					1 of 1	

Revisions				
Zone	Rev	Description	Date	Approved