

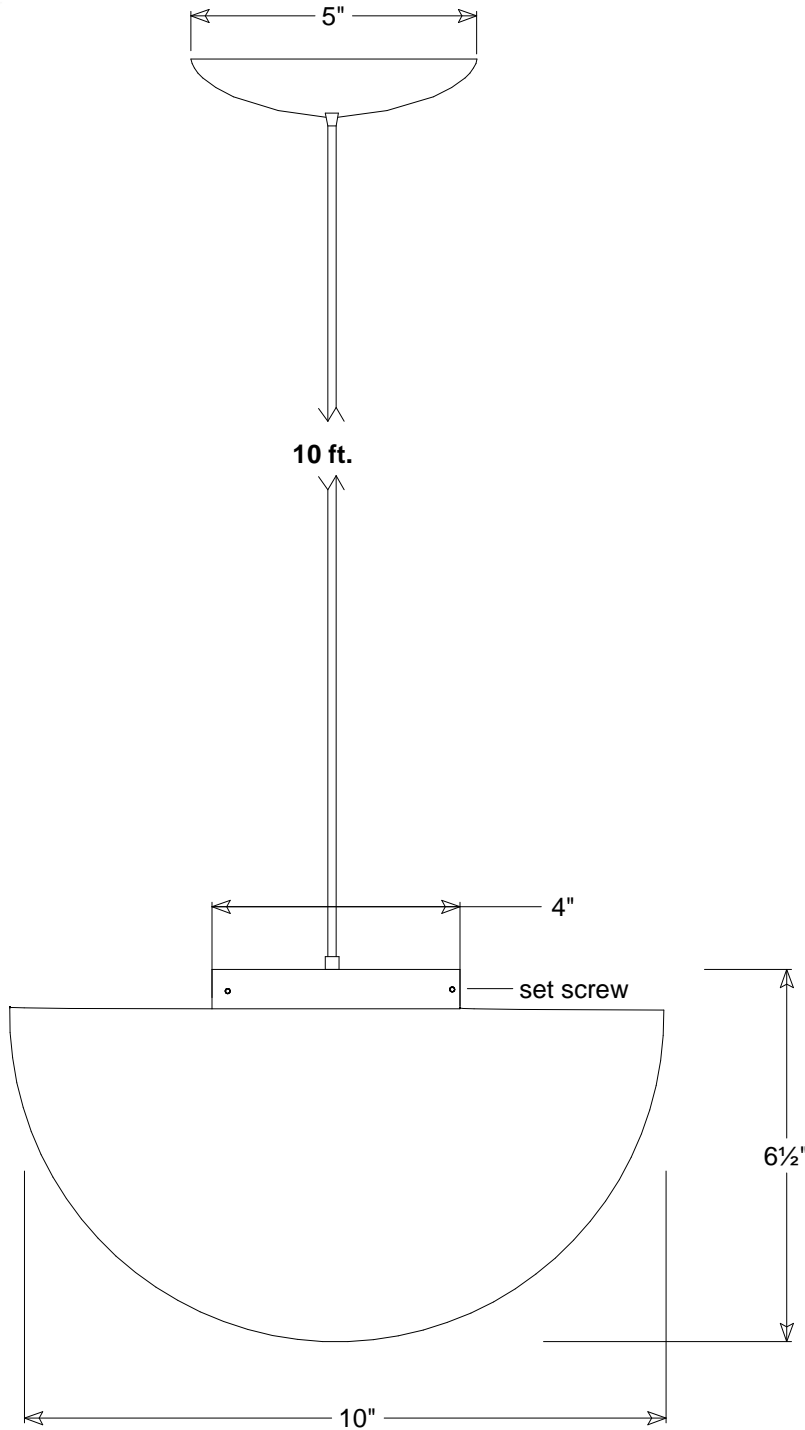


Primelite Manufacturing Corp

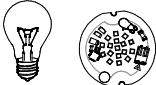
407 S Main St, Freeport, NY 11520

Phone: 516-868-4411 | Fax: 516-868-4609
 sales@primelite-mfg.com | www.primelite-mfg.com

| | | | |
|-----------------------|----------------------------|-----------------|---------------------------------|
| PART # #380 | LAMP Incandescent LED | VOLTAGE 120V | COLOR Powder Coated Paint |
| JOB NAME | | | TYPE Semi Hemi Glass Pendant |



Lamp: Incandescent | LED



1775A | LED12 3K

Construction: Aluminum | Glass

Unless Otherwise Specified:
Dimensions in Inches

| Name | Date | Pendant #380 | | |
|-------------|----------|--|----------------------------|------------------------|
| Drawn iv | 09/06/18 | 10" Dia Semi Hemi Glass Pendant 10' Vinyl Cord | | |
| Checked | | | | |
| ENG Appr. | | | | |
| MFR Appr. | | | | |
| QA | | Size A | Drawing No. 0001 | Rev A |
| Comments | | Scale | CAD File | Sheet 1 of 1 |

| Revisions | | | | |
|-----------|-----|-------------|------|----------|
| Zone | Rev | Description | Date | Approved |
| | | | | |
| | | | | |
| | | | | |